



PROJECTION SCREEN

Shenzhen Screen Workshop Technology Ltd.

Shenzhen Screen Workshop Technology Ltd.

Tel: (0086) 0755-81441803 Fax: (0086) 0755-81441807 Web: www.mgfscreen.com

Add: Block A1, No.4 Industrial area of Gonghe Village ,Shajin Town,Bao An District, Shenzhen, China. 518104



About Us



COMPANY PROFILE

Established in 1999, Shenzhen Screen Workshop Technology Ltd. has more than 20 years' experience in research, development, production, sales, and service for Projection Screens and Projection Mounts. We are specialized in the production of Projector Screens which can be used for home entertainment, education, business and so on. OEM and ODM are also applicable to us.

Our products including motorized screen, manual screen, tripod screen, floor-standing screen, fixed frame screen, fast fold screen, business desktop screen, in-ceiling screen and projector mounts

With the professional production team and sales team, we expand our market all over the world and gain the trust of every single customer. In order to improve ourselves, we made the production line applied with an international advanced testing system and industry standard, and passed the ISO9001:2008 authentication, also won certifications of ETL, CE, RCM, SAA, CQC, SGS, MSDS and ROHS.

Our tenet is Professional, Best service, High quality and Honesty. Adhering to the business principle of mutual benefits, we have had a good reputation among our customers because of our perfect services, quality products and competitive prices.

Patents

MGF Screens has a professional R&D team with over 20 years of experience. We have obtained more than 60 technical patents and provided services for over 500 customers, from whom we have gained more and more reputation.



Advantage

Operation Manual

Pure English operation manuals , installation operation instructions will be providede

ODM&OEM

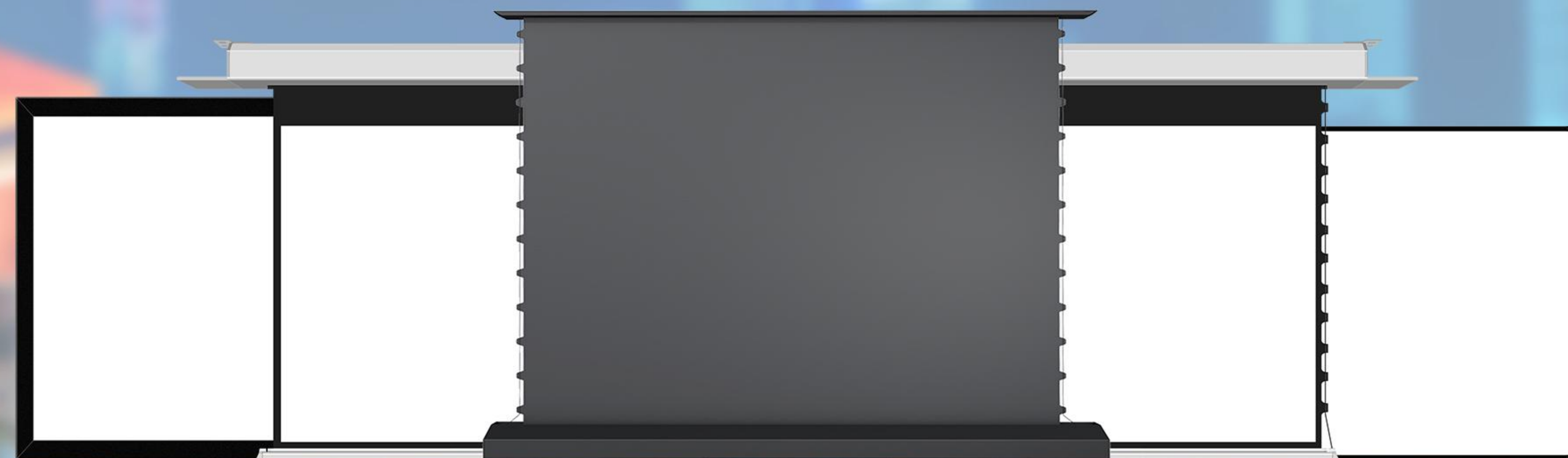
Products can be customized according to your requirements; OEMservice with customers' brand is available

CE and ISO Certified

Good quality firstly to avoid any defective products. Protective packagingto avoid destroy during delivery

Long Product Life

Generally the machine can use 5-10 years for average even longer if you useproperly .



Production process

1



Fabric Cutting

2



Fabric Painting

3



Assembling

4



Cleaning

8



Warehousing

7



Packing

6



QC Inspection

5



Product Testing

Screen material

Type	Code	Description	Gain	Viewing Angle	Thickness	4K UHD	3D Enhanced	High Contrast	Excellent Color Rendering	Washable	Ambient Light Rejection	Acoustic Transparent	Available Product
Fiberglass Series	MWA	 Fiberglass PVC laminated Front Projection Matte White	1.10	2a=165°	0.37 ± 0.02mm	✓				✓			Fixed Frame Electric Manual
	GRA	 Fiberglass PVC laminated Front Projection Matte Grey	0.90	2a=165°	0.37 ± 0.02mm	✓		✓	✓	✓			Fixed Frame Electric Manual
Polyester Series	MWB	 Polyester Woven PVC laminated Front Projection Matte White	1.00	2a=165°	0.42 ± 0.02mm	✓				✓			Fixed Frame Electric Manual Portable
	GRY	 Polyester Woven PVC laminated Front Projection Matte Grey	0.85	2a=165°	0.45 ± 0.02mm	✓		✓	✓	✓			Fixed Frame Electric Manual Portable

Type	Code	Description	Gain	Viewing Angle	Thickness	4K UHD	3D Enhanced	High Contrast	Excellent Color Rendering	Washable	Ambient Light Rejection	Acoustic Transparent	Available Product
Polyester Series	MWE	 HD Polyester Woven PVC laminated Front Projection Matte White	1.05	2a=165°	0.50 ± 0.02mm					✓			Fixed Frame Electric Manual
	MWK	 Polyester Warp Knitting PVC laminated Front Projection Matte White	1.00	2a=150°	0.38 ± 0.02mm					✓			Fixed Frame Electric Manual Portable
Giant Engineering Series	MWL	 Polyester Woven PVC laminated Front Projection Matte White	1.00	2a=165°	0.35 ± 0.02mm					✓			Fixed Frame Electric Manual Portable
	MWC	 Reinforced Polyester PVC laminated Front Projection Matte White	1.00	2a=165°	0.62 ± 0.02mm					✓			Giant Electric

Screen material

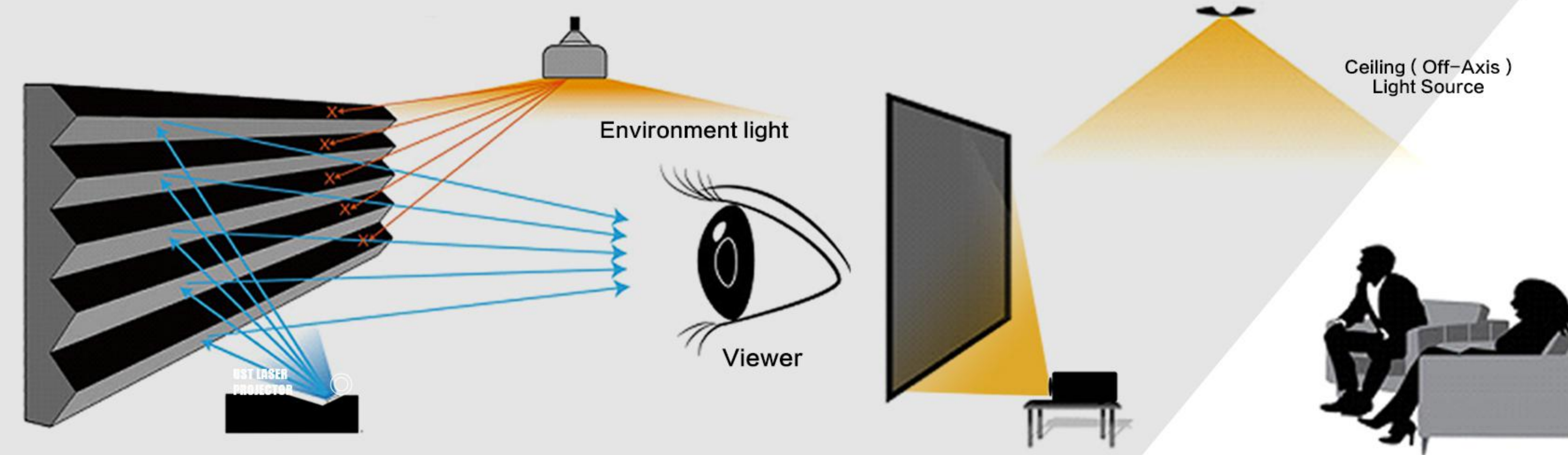
Type	Code	Description	Gain	Viewing Angle	Thickness	4K UHD	3D Enhanced	High Contrast	Excellent Color Rendering	Washable	Ambient Light Rejection	Acoustic Transparent	Available Product
Elastic PVC Series	FWC		1.05	2a=165°	0.32 ± 0.02mm	✓				✓			Tab-tensioned Fixed Frame Easy Fold
		PVC Front Projection Matte White											
	FWA		1.10	2a=165°	0.38 ± 0.02mm	✓				✓			Tab-tensioned Fixed Frame Easy Fold
		PVC Front Projection Matte White											
FGB		0.85	2a=165°	0.34 ± 0.02mm	✓		✓	✓	✓	✓			Tab-tensioned Fixed Frame Easy Fold
	PVC Front Projection Matte Grey												
FGG		1.50	2a=120°	0.38 ± 0.03mm	✓	✓	✓	✓	✓	✓			Tab-tensioned Fixed Frame Easy Fold
	PVC Front Projection Silver Grey												

Type	Code	Description	Gain	Viewing Angle	Thickness	4K UHD	3D Enhanced	High Contrast	Excellent Color Rendering	Washable	Ambient Light Rejection	Acoustic Transparent	Available Product	
Acoustic Transparent Series	ATW		1.10	2a=165°	0.32 ± 0.02mm	✓				✓		✓	Tab-tensioned Fixed Frame Easy Fold	
		PVC Perforated Acoustic Transparent Front Projection Matte White												
	ATG		1.45	2a=120°	0.38 ± 0.02mm	✓	✓	✓	✓	✓	✓		✓	Tab-tensioned Fixed Frame Easy Fold
		PVC Perforated Acoustic Transparent Front Projection Matte Silver												
BCA		1.00	2a=165°	0.62 ± 0.02mm	✓							✓	Fixed Frame	
	Woven Acoustic Transparent Front Projection Matte White													
BCB		0.80	2a=165°	0.62 ± 0.02mm				✓	✓			✓	Fixed Frame	
	Woven Acoustic Transparent Front Projection Matte Grey													

Screen material

Type	Code	Description	Gain	Viewing Angle	Thickness	4K UHD	3D Enhanced	High Contrast	Excellent Color Rendering	Washable	Ambient Light Rejection	Acoustic Transparent	Available Product
Ambient Light Rejection Series	KGB		0.80	2a=165°	0.48 ± 0.03mm	✓		✓	✓		92%		Fixed Frame
		Ceiling Light Diffusion fabric											
	CGB		0.70	2a=165°	0.48 ± 0.02mm	✓		✓	✓		90%		Fixed Frame
		Ceiling Light Diffusion fabric											
GGC		0.60	2a=150°	0.50 ± 0.02mm	✓		✓	✓		85%		Fixed Frame	
	Ceiling Light Diffusion fabric												
RGG		1.50	2a=165°	0.32 ± 0.03mm	✓		✓	✓	✓			Tab-tensioned Fixed Frame Easy Fold	
	PVC Rear Projection Grey												

Screen material Features



This screen is made specifically for Ultra Short Throw projectors such as the new Xiaomi Mijia 4K Laser, Optoma 4K Laser, LG 4K Laser and HiSense models, to give you the best image quality possible, much better than a white wall or a regular white, non UST screen. It has a micro 'sawtooth' surface structure necessary to deflect the image projected from below the screen optimally to the viewers eyes and not to the ceiling. It also rejects ambient light from lights and projected reflections above.



Products Category

01 | **Motorized Tab-tensional Projector Screen**

04 | **Portable Projector Screen**

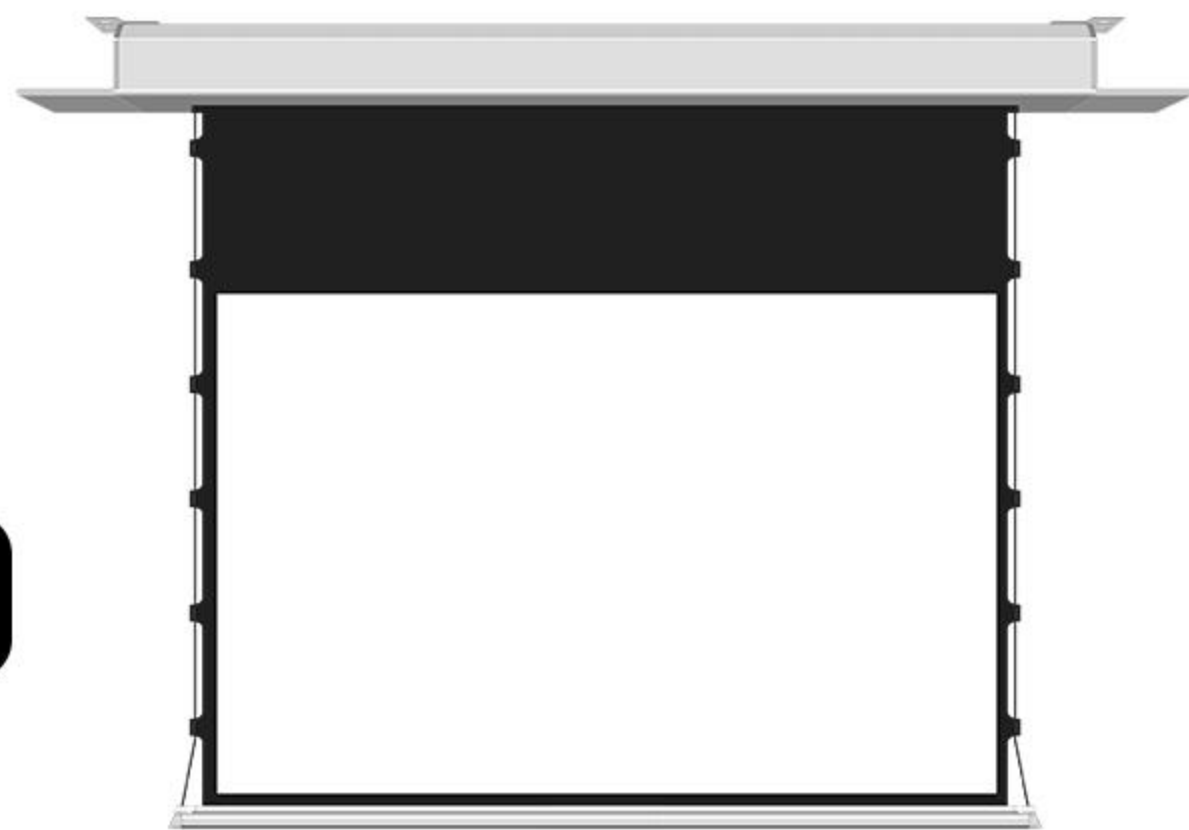
02 | **Motorized Non Tab-tensional Projector Screen**

05 | **Manual Projector Screen**

03 | **Fixed Frame Projector Screen**

06 | **Projector Mounting Kits**

**Motorized Tab-tensional
Projector Screen**



**In-Ceiling Tab-Tensioned
Projector Screen**



Hermes Tab-tensioned Screen



High Qualified Tab-tensioned Screen



**Electric Tab-tension Floor Rising
Projector Screen**



Giant Tension Engineering Electric Screen

**Motorized Non Tab-tensional
Projector Screen**



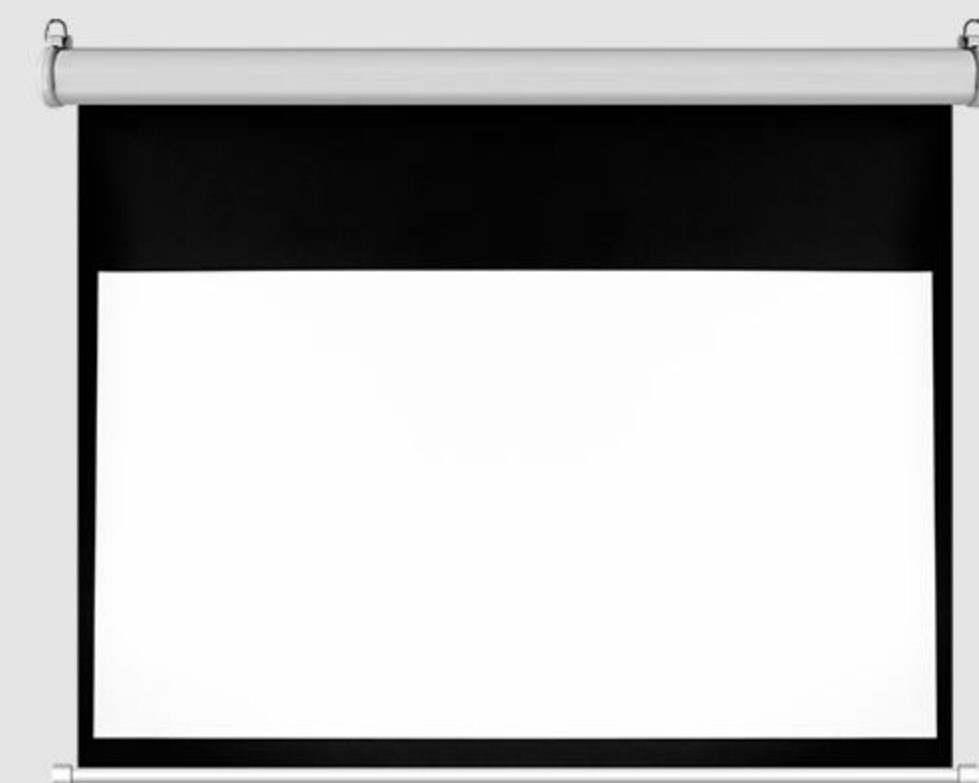
Premium In-ceiling Electric Screen



Linda Electric Projector Screen



Hermes Pro-line Electric Screen



Neptune Tubular Electric Projector Screen



Manto Tubular Electric Projector Screen



Giant Engineering Electric Screen

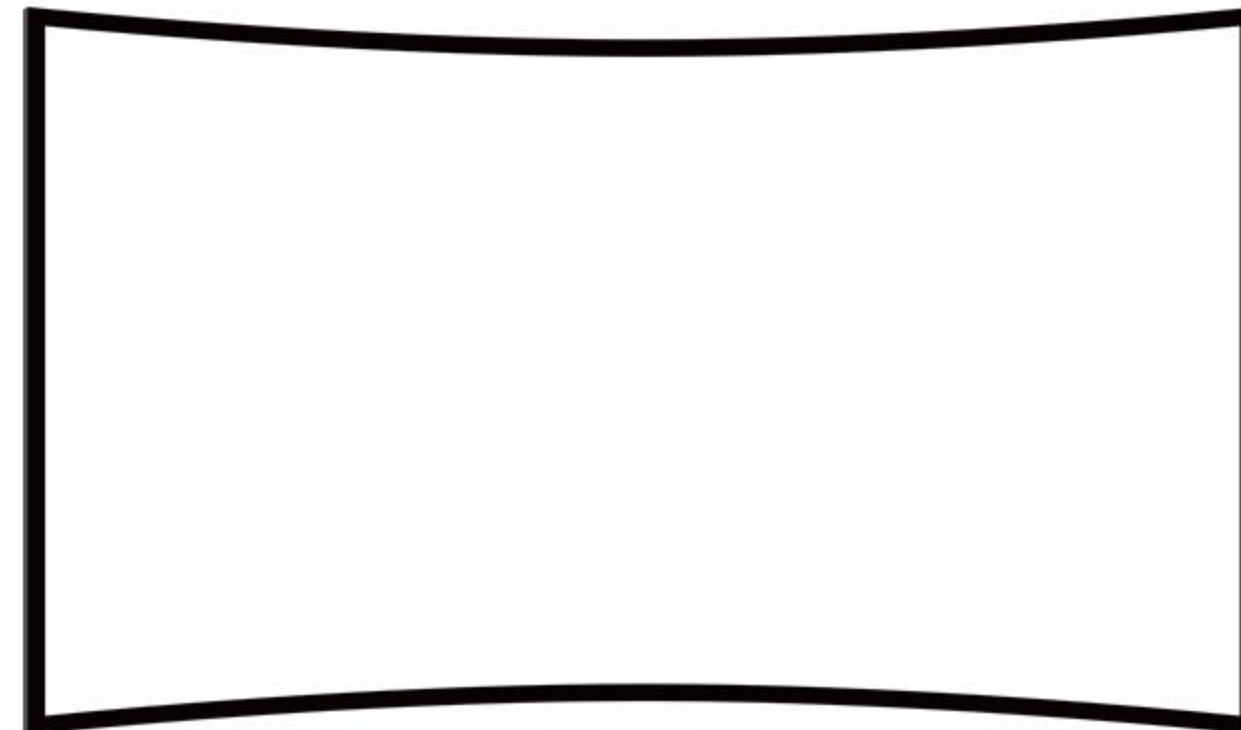
Fixed Frame Projector Screen



10mm Narrow Frame Screen



Fixed Frame Projector Screen



HomeMax Curve Fixed Frame Screen

Manual Projector Screen



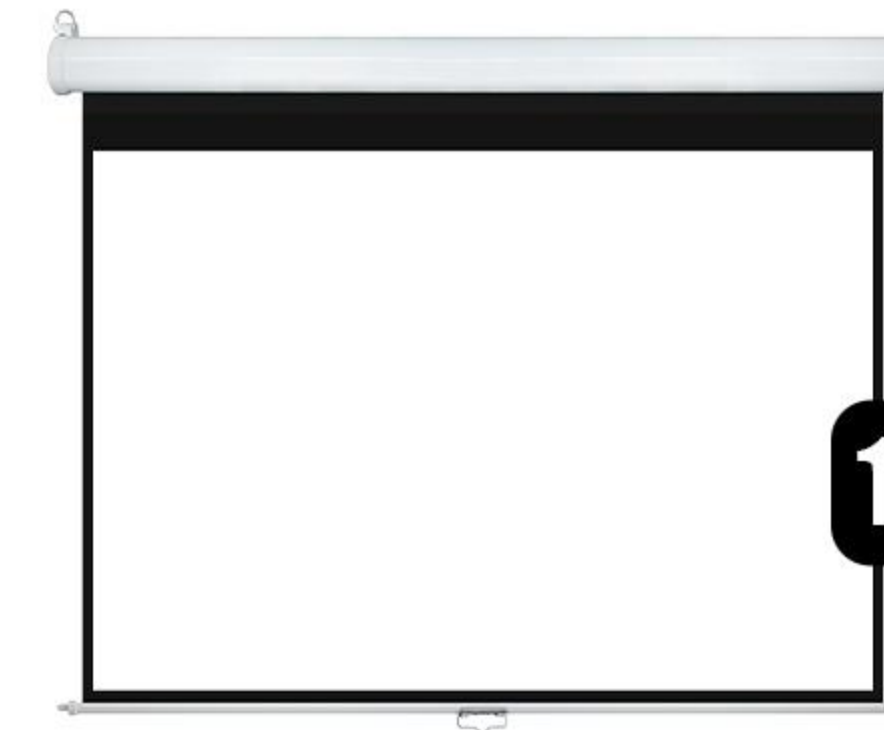
**Neptune Pro-line SRC
Manual Screen**



Manto Eco-line Manual Screen

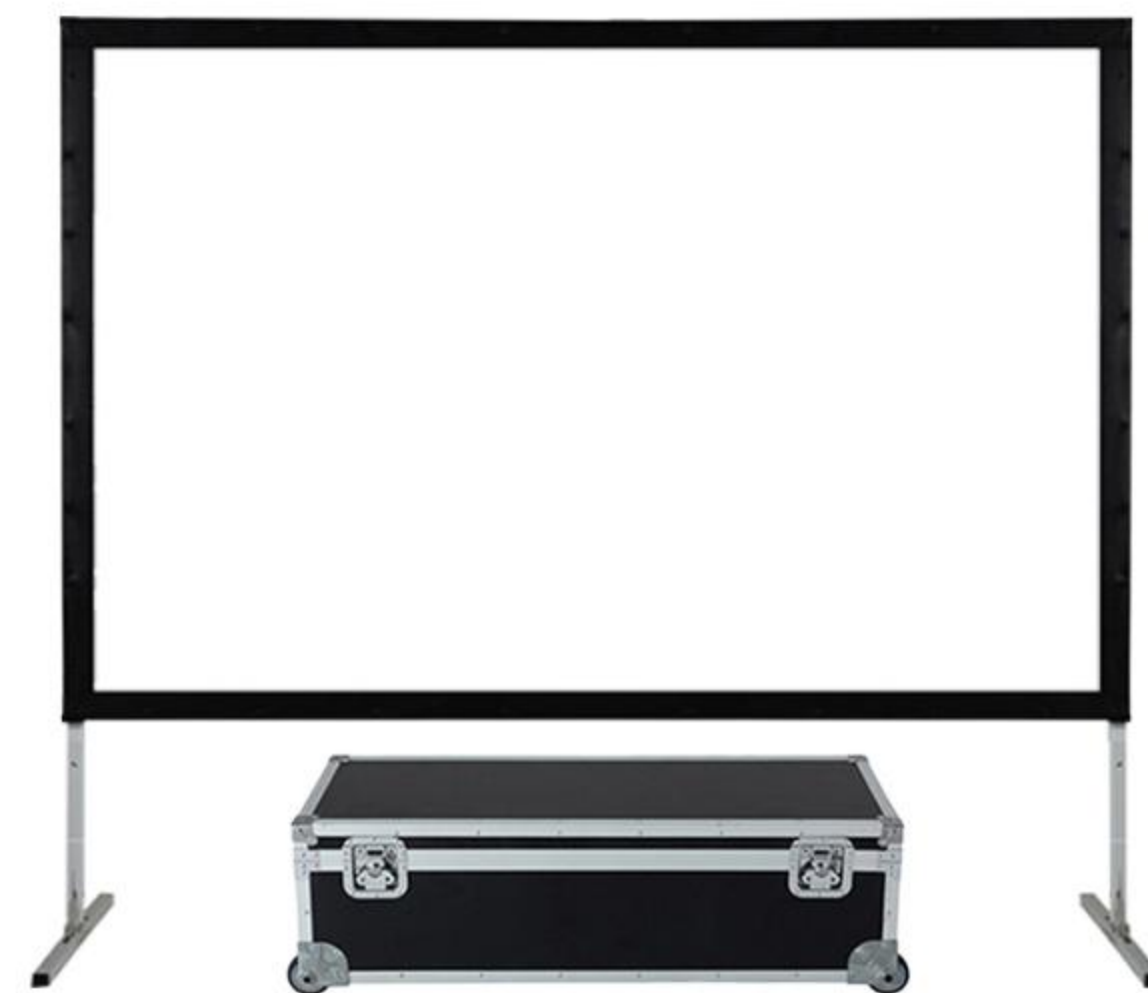


Juno Eco-line Manual Screen



**Neptune Pro-line
Manual Screen**

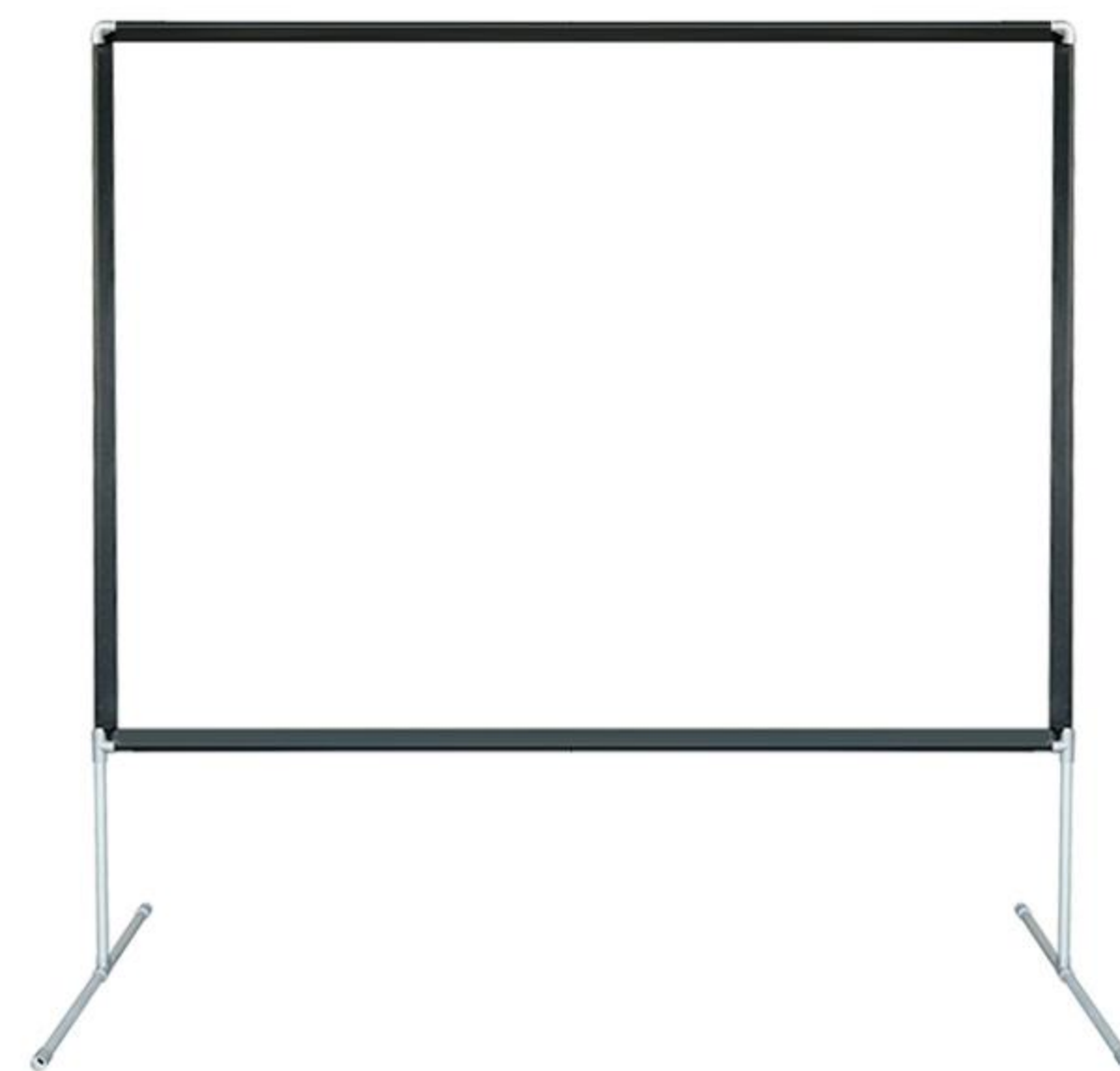
Portable Projector Screen



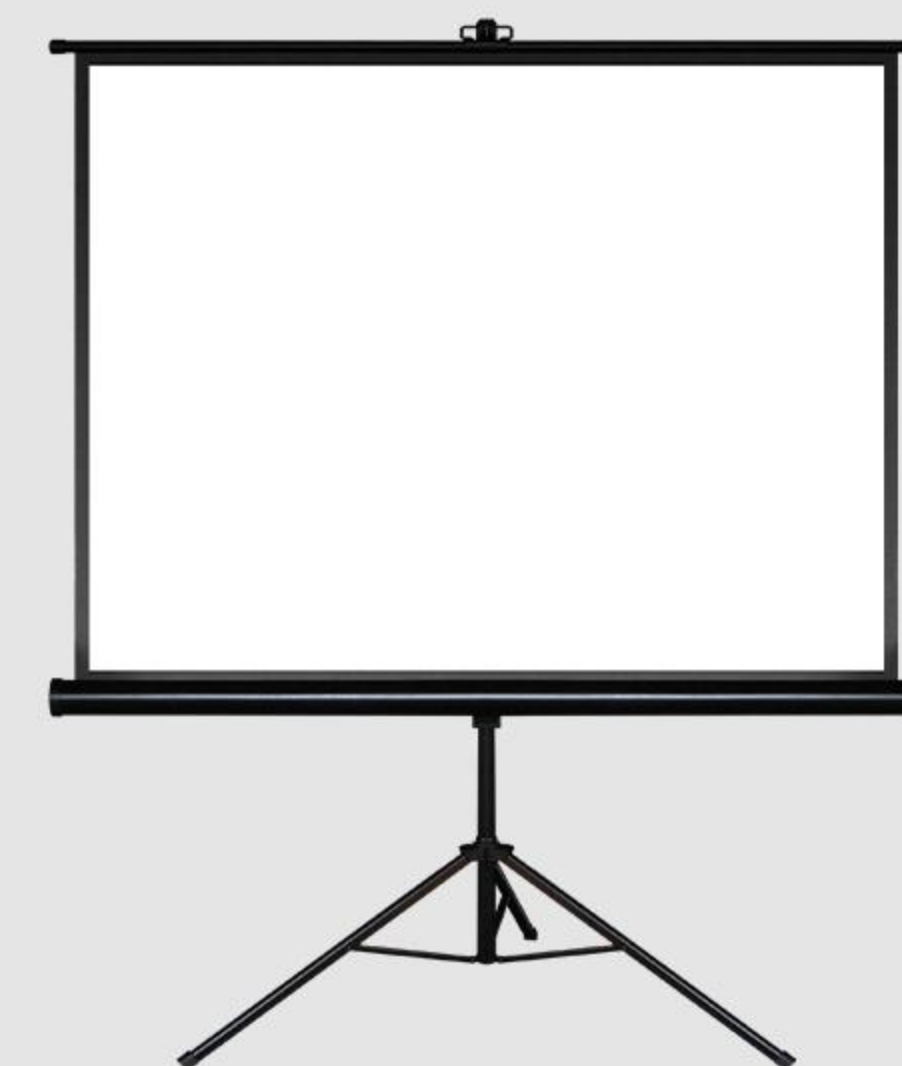
Easy Fold Portable Screen



Scissor Floor Rising Portable Screen



Backyard Outdoor Theater Screen



Vesta Portable Tripod Screen



Deskview MKII Presentation Screen

Projector Mounting Kits



SX Series Projector Lift



PM Series Ceiling Projector Mount



AST Series Short Throw Projector Mount



ST Series Short Throw Projector Mount

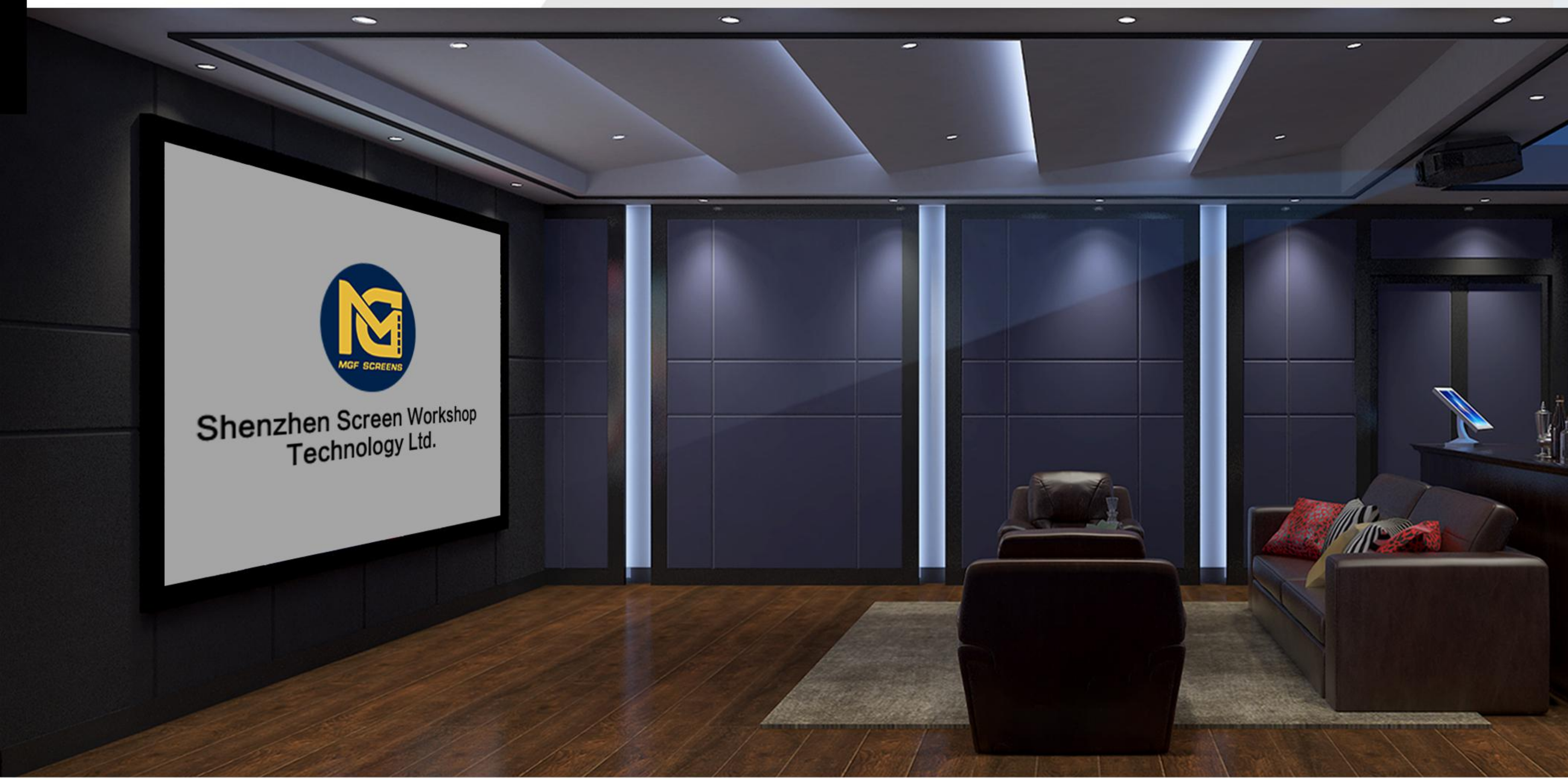


Leaflet-Trolley TL Series

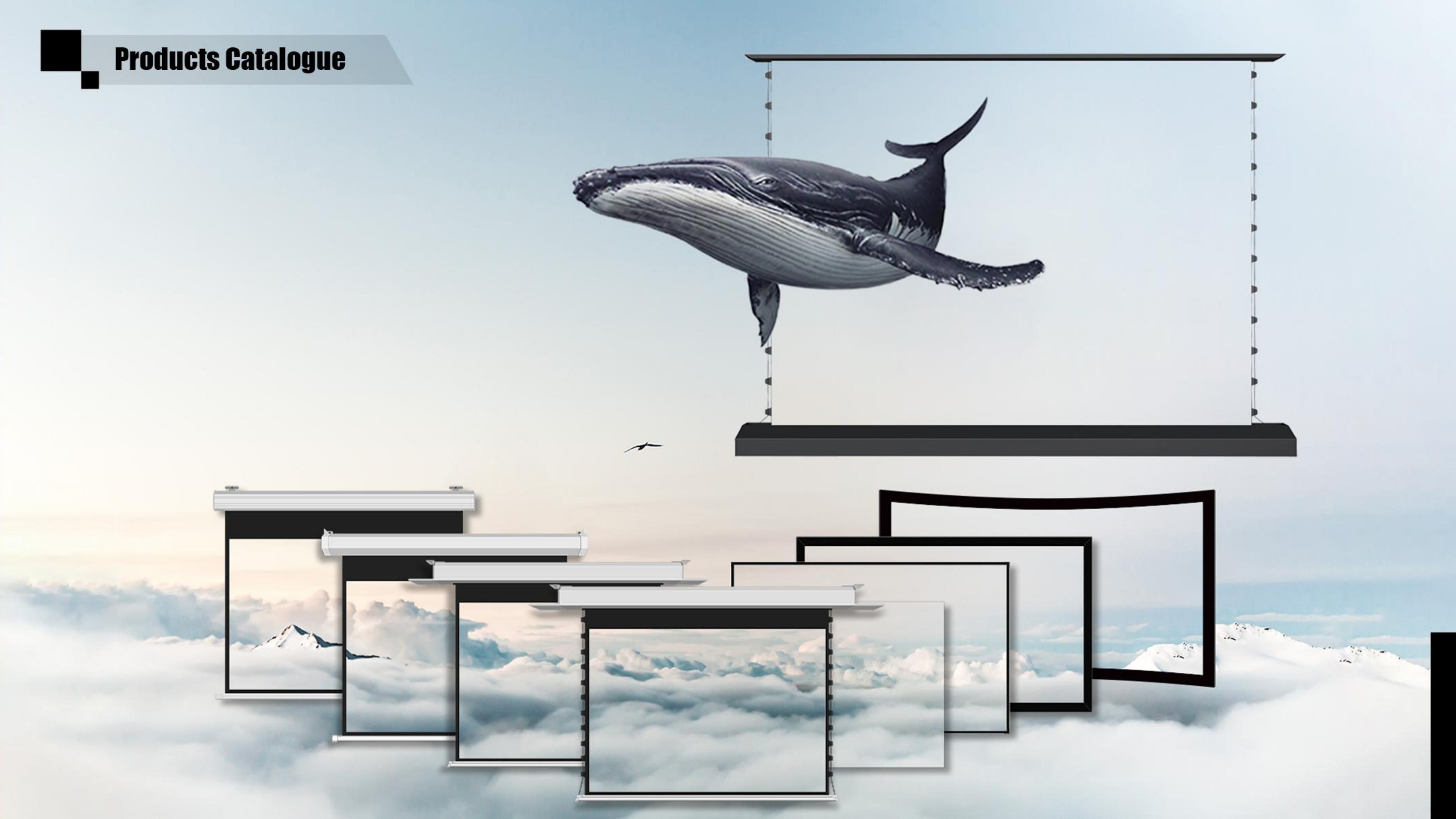


Leaflet-Trolley TS Series

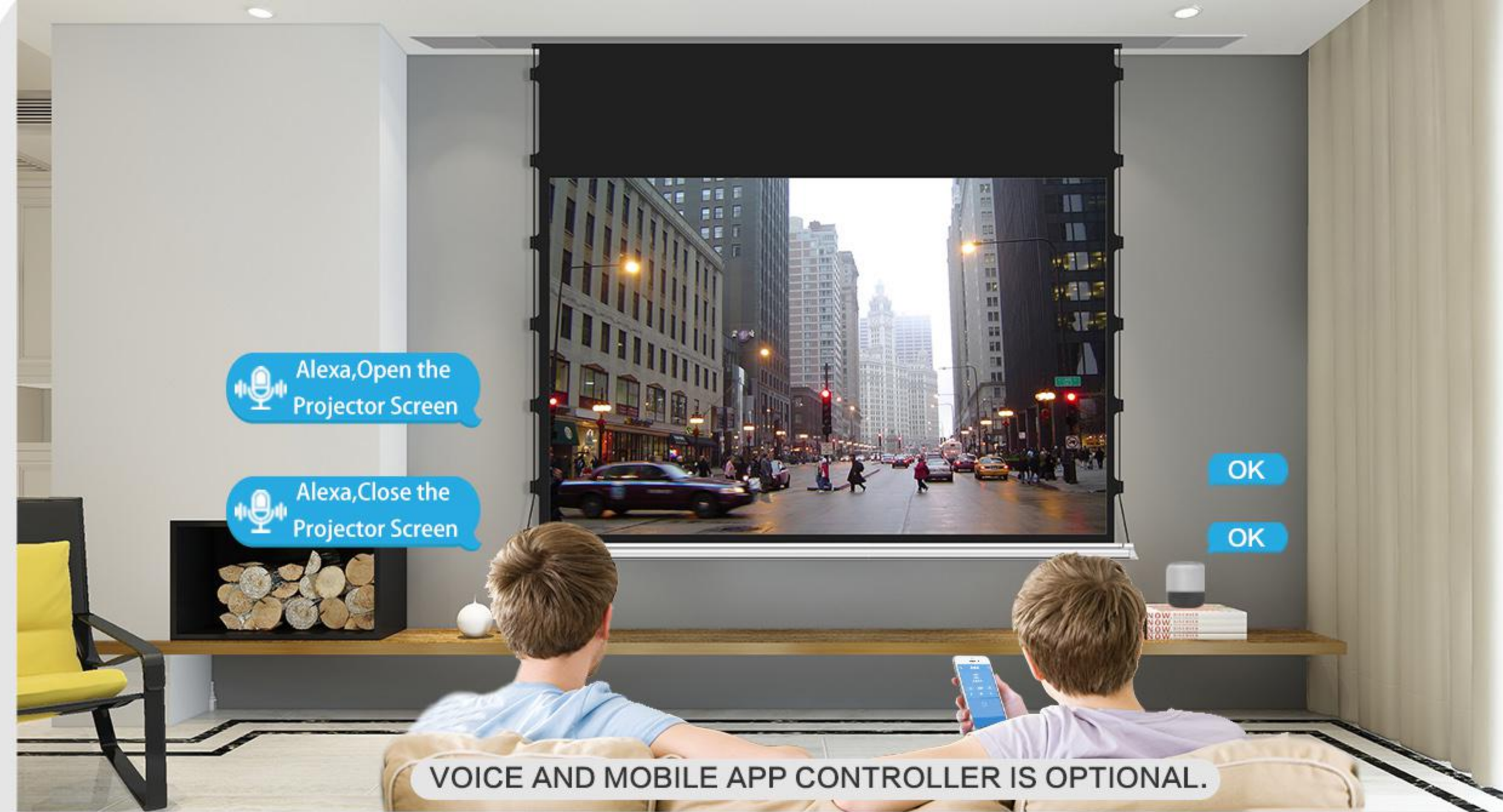
Home theater



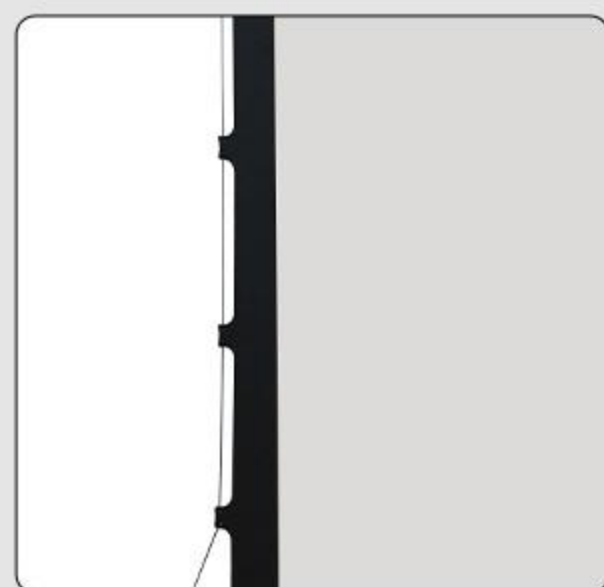
Products Catalogue



In-Ceiling Tab-Tensioned Projector Screen



one piece aluminum profiled housing with Piano white finishing
Special internal ribs design helps to minimize vibration, as well as the noise during operation.



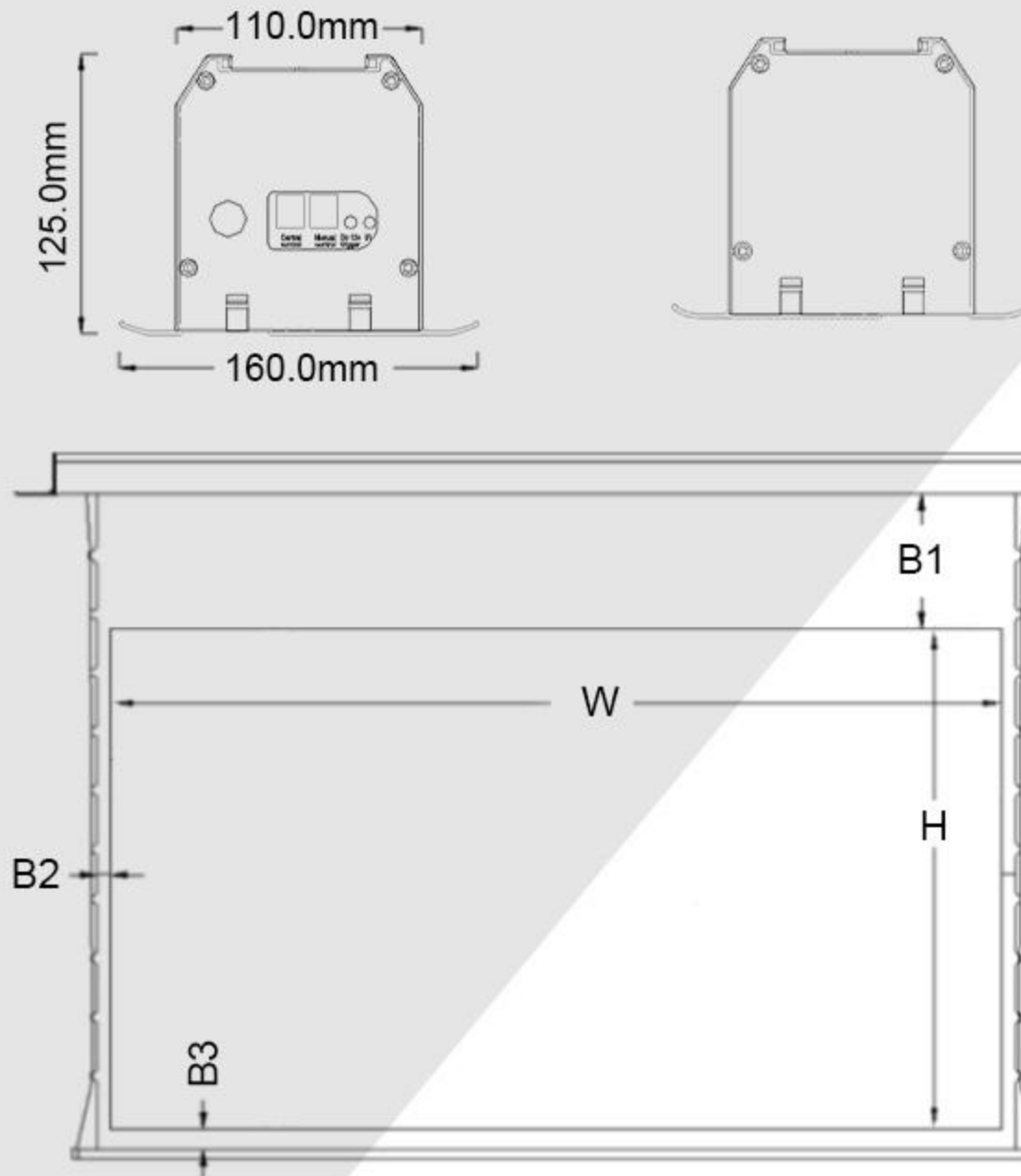
The screen is designed with pull wire to stretch the screen surface to make the screen flat and prevent curling and wrinkle



Powered by tubular motor with thermal overload cut-out device
Silent motor reduce the voice in operation, 10-years warranty.



Incorporated with elastic fabric and weighted slat bar, the tab tensioned system offer the best flatness among all rolling type electric screens.



- Available sizes 60inch-150inch.
- Support different kinds of fabric material.
- Made of aluminum alloy, luxurious white casing.
- Deeply embedded in the false ceiling hides, decorative appearance
- RF remote control, IR remote control, manual switch, voice and mobile APP control are optional.
- Available for tab tension screen and large roller, the screen surface will more flat surface and clear image.

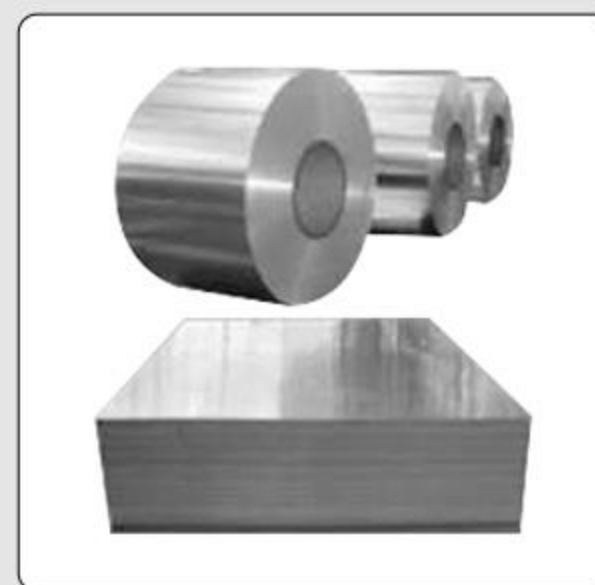
Type	Code	Description	Gain	Viewing Angle	Thickness	4K UHD	3D Enhanced	High Contrast	Excellent Color Rendering	Washable	Ambient Light Rejection	Acoustic Transparent
Elastic PVC Series	FWC	PVC Front Projection Matte White	1.05	2a=165°	0.32 ± 0.02mm	✓				✓		
	FGG	PVC Front Projection Silver Grey	1.50	2a=120°	0.38 ± 0.03mm	✓	✓	✓	✓	✓		
Acoustic Transparent Series	BCA	Woven Acoustic Transparent Front Projection Matte White	1.00	2a=165°	0.62 ± 0.02mm	✓						✓
Ambient Light Rejection Series	KGC	PVC Front Projection Silver Grey	0.80	2a=180°	0.32 ± 0.02mm	✓	✓	✓	✓	✓	✓	

Video Format:	Screen Size	Viewing Area(mm)		Border(mm)	Product Dimension(mm)	Packing Dimension(mm)	N.W(kg)	G.W(kg)
	(HxW, inches)	H	W	B1/B2/B3				
4:3	100"(60"x80")	1524	2032	400/40/40	2381*160*125	2451*226*194	22.50	24.50
	120"(72"x96")	1829	2438	400/40/40	2777*160*125	2847*226*194	26.60	28.60
	150"(90"x120")	2286	3048	400/40/40	3391*160*125	3460*226*194	34.95	36.95
16:9	92"(45"x80")	1143	2032	400/40/40	2381*160*125	2451*226*194	20.10	22.10
	120"(59"x105")	1500	2667	400/40/40	3006*160*125	3076*226*194	25.26	27.26
	135"(66"x118")	1686	2997	400/40/40	3339*160*125	3409*226*194	29.76	31.76
	150"(74"x131")	1880	3327	400/40/40	3666*160*125	3736*226*194	33.06	35.06

Hermes Tab-tensioned Screen



Incorporated with elastic fabric and weighted slat bar, the tab tensioned system offer the best flatness among all rolling type electric screens.



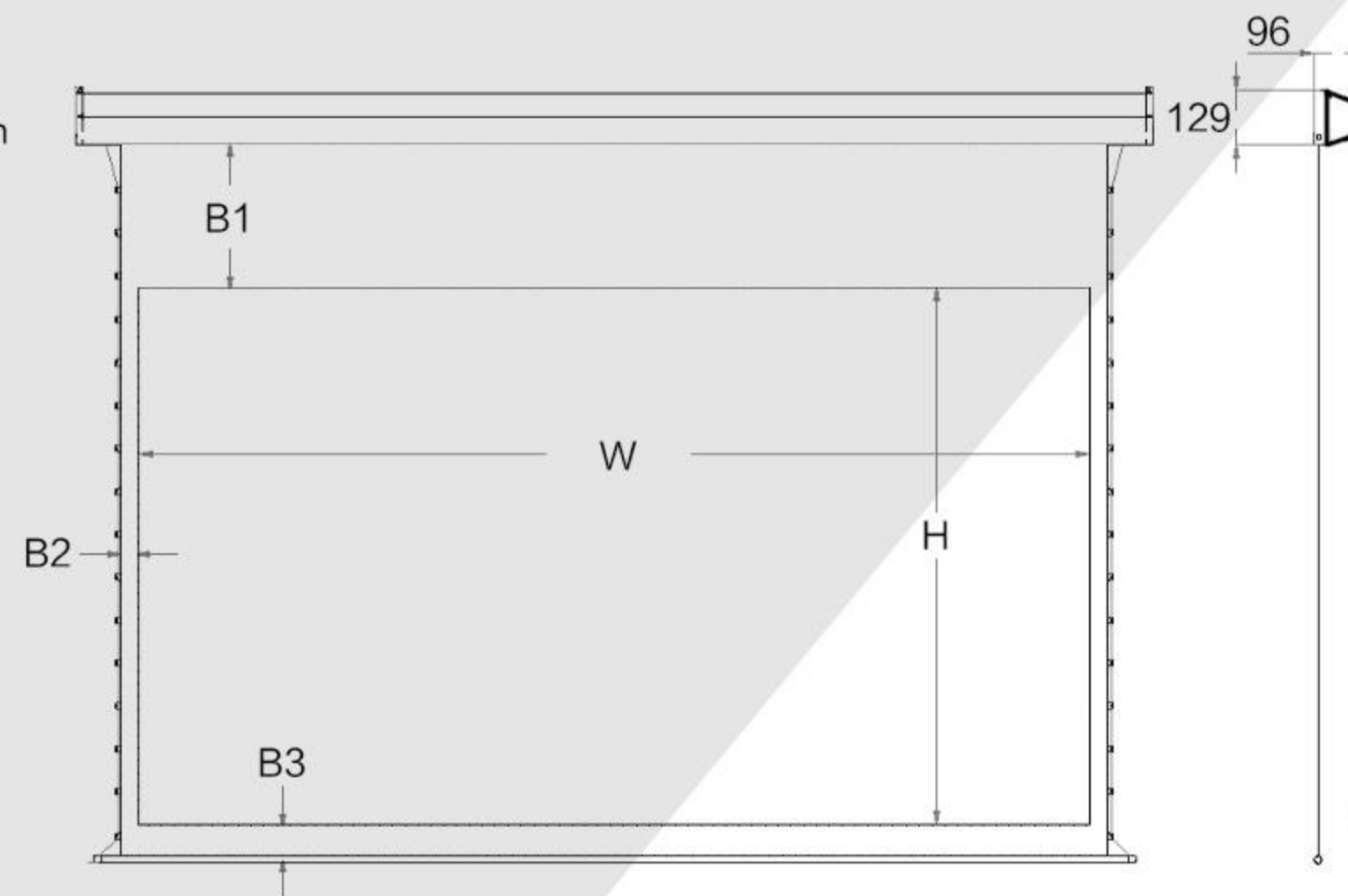
Make of high quality steel in hexagonal structure, offering high housing strength in preventing twist and bending due to motor and its vown weight



Tubular motor is stable, energy efficient that ensure effective and smooth operation.



Steel end caps with holes provides choices for wall or ceiling installation.



- Durable galvanized steel housing
- Driven by reliable tubular motor
- Flexible installation methods include wall mounting & ceiling hanging
- The use of large diameter roller ensures a perfectly flat viewing surface
- Specially designed tab-tensioning system allows you to adjust tension when necessary
- External remote control set available

Type	Code	Description	Gain	Viewing Angle	Thickness	4K UHD	3D Enhanced	High Contrast	Excellent Color Rendering	Washable	Ambient Light Rejection	Acoustic Transparent
Elastic PVC Series	FWC	PVC Front Projection Matte White	1.05	2a=165°	0.32 ± 0.02mm	✓				✓		
	FGG	PVC Front Projection Silver Grey	1.50	2a=120°	0.38 ± 0.03mm	✓	✓	✓	✓	✓		
	FGB	PVC Front Projection Matte Grey	0.85	2a=165°	0.34 ± 0.02mm	✓		✓	✓	✓		
Acoustic Transparent Series	ATW	PVC Perforated Acoustic Transparent Front Projection Matte White	1.10	2a=165°	0.32 ± 0.02mm	✓				✓		✓

Video Format:	Screen Size	Viewing Area(mm)		Border(mm)	Product Dimension(mm)	Packing Dimension(mm)	N.W(kg)	G.W(kg)
	(HxW, inches)	H	W	B1/B2/B3				
4:3	100"(60"x80")	1524	2032	250/50/40	2460*96*130	2672*203*170	20.1	22.2
	120"(72"x96")	1829	2438	250/50/40	2966*96*130	3178*203*170	23.8	26.3
16:9	100"(49"x87")	1245	2210	400/40/40	2619*96*130	2831*203*170	21.1	23.3
	120"(59"x105")	1499	2667	400/50/40	3096*96*130	3308*203*170	24.8	27.4
	150"(74"x131")	1880	3327	400/50/40	3769*96*130	3981*203*170	32.5	36.0
16:10	120"(64"x102")	1626	2591	400/50/40	3023*96*130	3235*203*170	24.1	26.6
	130"(69"x110")	1753	2794	400/50/40	3242*96*130	3454*203*170	25.4	28.6

High Qualified Tab-tensioned Screen



Alexa, Open the Projector Screen

Alexa, Close the Projector Screen

OK

OK

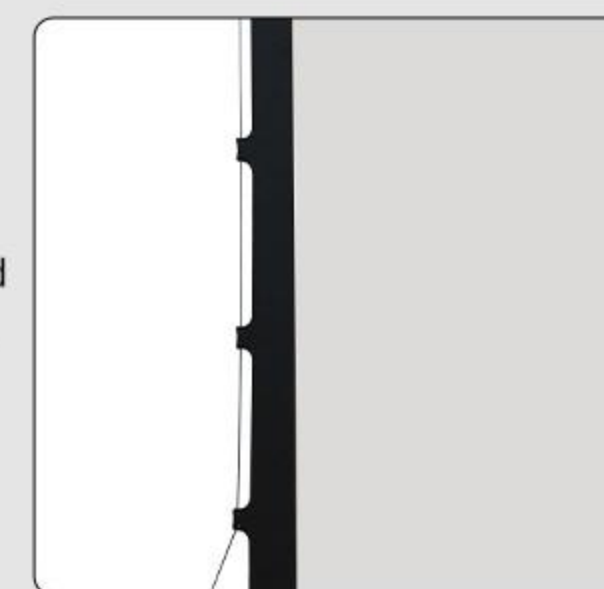
VOICE AND MOBILE APP CONTROLLER IS OPTIONAL.

- Smooth and quiet motor operation
- Elegant and durable white aluminum casing
- Supplied with detachable mounting brackets for ease of installation
- The use of large diameter roller ensures a perfectly flat viewing surface
- Flexible installation methods include ceiling mounting, wall mounting & ceiling hanging
- Specially designed tab tensioning system allows you to adjust tension when necessary
- Equipped with detachable cable connection, central control port & manual control port, built-in remote control that supports 12V trigger

Type	Code	Description	Gain	Viewing Angle	Thickness	4K UHD	3D Enhanced	High Contrast	Excellent Color Rendering	Washable	Ambient Light Rejection	Acoustic Transparent
Elastic PVC Series	FWC	PVC Front Projection Matte White	1.05	2a=165°	0.32 ±0.02mm	✓				✓		
	FGG	PVC Front Projection Silver Grey	1.50	2a=120°	0.38 ±0.03mm	✓	✓	✓	✓	✓		
Acoustic Transparent Series	BCA	Woven Acoustic Transparent Front Projection Matte White	1.00	2a=165°	0.62 ±0.02mm	✓						✓
Ambient Light Rejection Series	KGC	PVC Front Projection Silver Grey	0.80	2a=180°	0.32 ±0.02mm	✓	✓	✓	✓	✓	✓	



The aluminum alloy extruded frame with white powder coating.



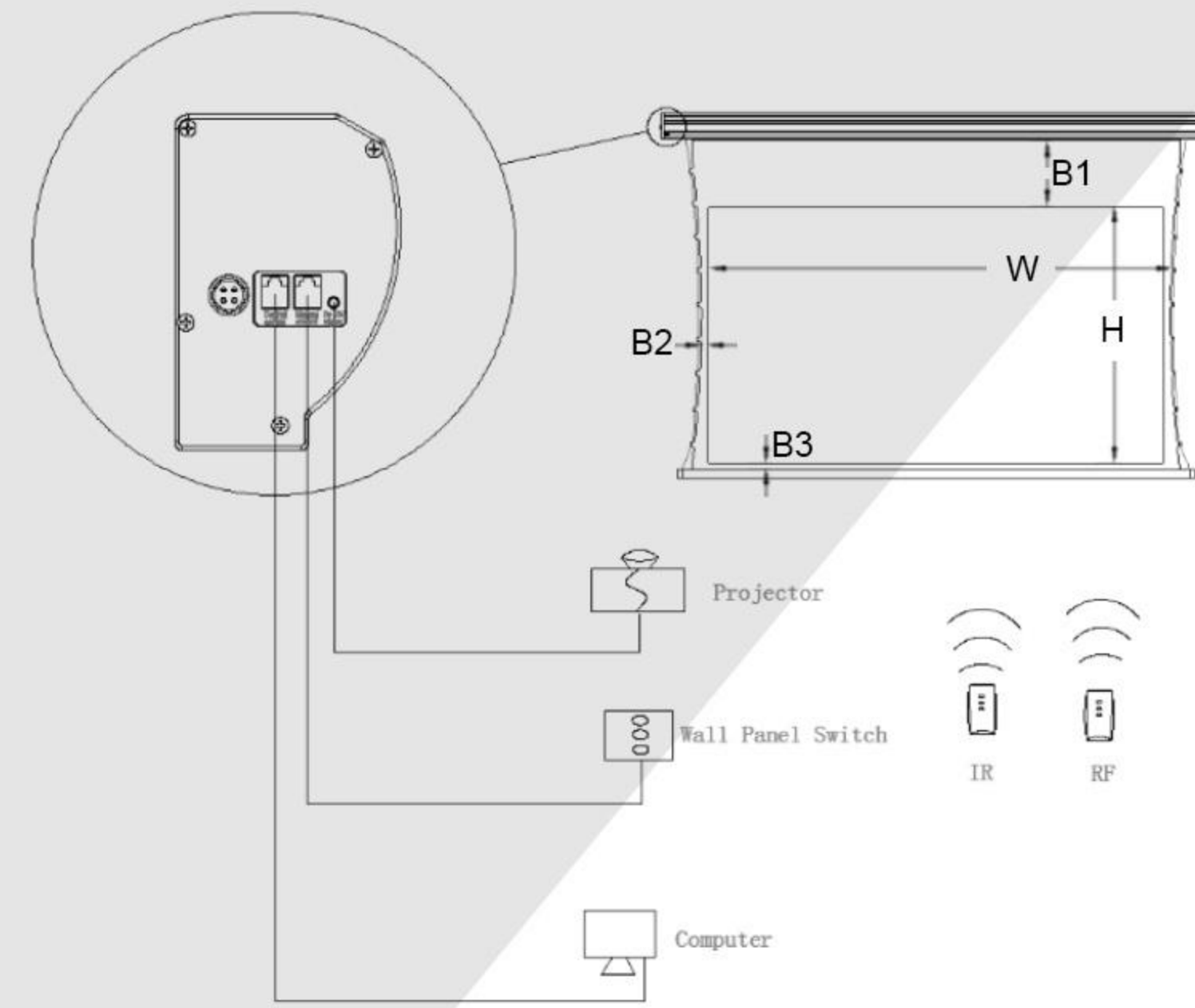
The screen is designed with pull wire to stretch the screen surface to make the screen flat and prevent curling and wrinkle



Heavy-duty silent motor with integrated shock absorber and thermal overload cutout.



Incorporated with elastic fabric and weighted slat bar, the tab tensioned system offer the best flatness among all rolling type electric screens.



Video Format:	Screen Size	Viewing Area(mm)		Border(mm)	Product Dimension(mm)	Packing Dimension(mm)	N.W(kg)	G.W(kg)
	(HxW, inches)	H	W	B1/B2/B3				
4:3	100"(60"x80")	1524	2032	250/50/40	2382*104*154	2530*205*155	17.60	19.60
	120"(72"x96")	1829	2438	250/50/40	2788*104*154	2936*205*155	20.60	22.90
	150"(90"x120")	2286	3048	250/50/40	3398*104*154	3546*205*155	25.80	29.30
16:9	92"(45"x80")	1143	2032	400/50/40	2382*104*154	2530*205*155	17.30	19.30
	120"(59"x105")	1499	2667	400/50/40	3017*104*154	3165*205*155	21.90	24.40
	135"(66"x118")	1686	2997	400/50/40	3347*104*154	3495*205*155	25.30	28.50
	150"(74"x131")	1880	3327	400/50/40	3677*104*154	3825*205*155	28.10	31.30

MGF Electric Tab-tension Floor Rising Projector Screen



29

- Housing**
Black and white housing can be choice, simple and elegant.
- Available Sizes**
More wonderful visual enjoyment screen size: 84"-150".
- Fabric material**
Support different kinds of fabric material.
- Light Resistant Screen**
Anti light upgrade, in the ambient light has a weakening effect, so that you can watch movies in the daytime.
- Ultra quiet design**
The world's leading silent patent technology, helical ultra quiet structure design; sight silent operation, noise as low as 30dB.
- 4K HD Visual Feast and Wonderful 3D Effective**
Support 4K ultra high definition projection to build luxury HD home theater supports the projection of 3D images.

Type	Code	Description	Gain	Viewing Angle	Thickness	4K UHD	3D Enhanced	High Contrast	Excellent Color Rendering	Washable	Ambient Light Rejection	Acoustic Transparent
Elastic PVC Series	FWC	PVC Front Projection Matte White	1.05	2a=165°	0.32 ±0.02mm	✓				✓		
	FGG	PVC Front Projection Silver Grey	1.50	2a=120°	0.38 ±0.03mm	✓	✓	✓	✓	✓		
Ambient Light Rejection Series	KGB	Ceiling Light Diffusion fabri	0.80	2a=180°	0.48 ±0.03mm	✓		✓	✓	✓	✓	
	KGC	PVC Front Projection Silver Grey	0.80	2a=180°	0.32 ±0.02mm	✓	✓	✓	✓	✓	✓	



High-quality support shaft, long service life



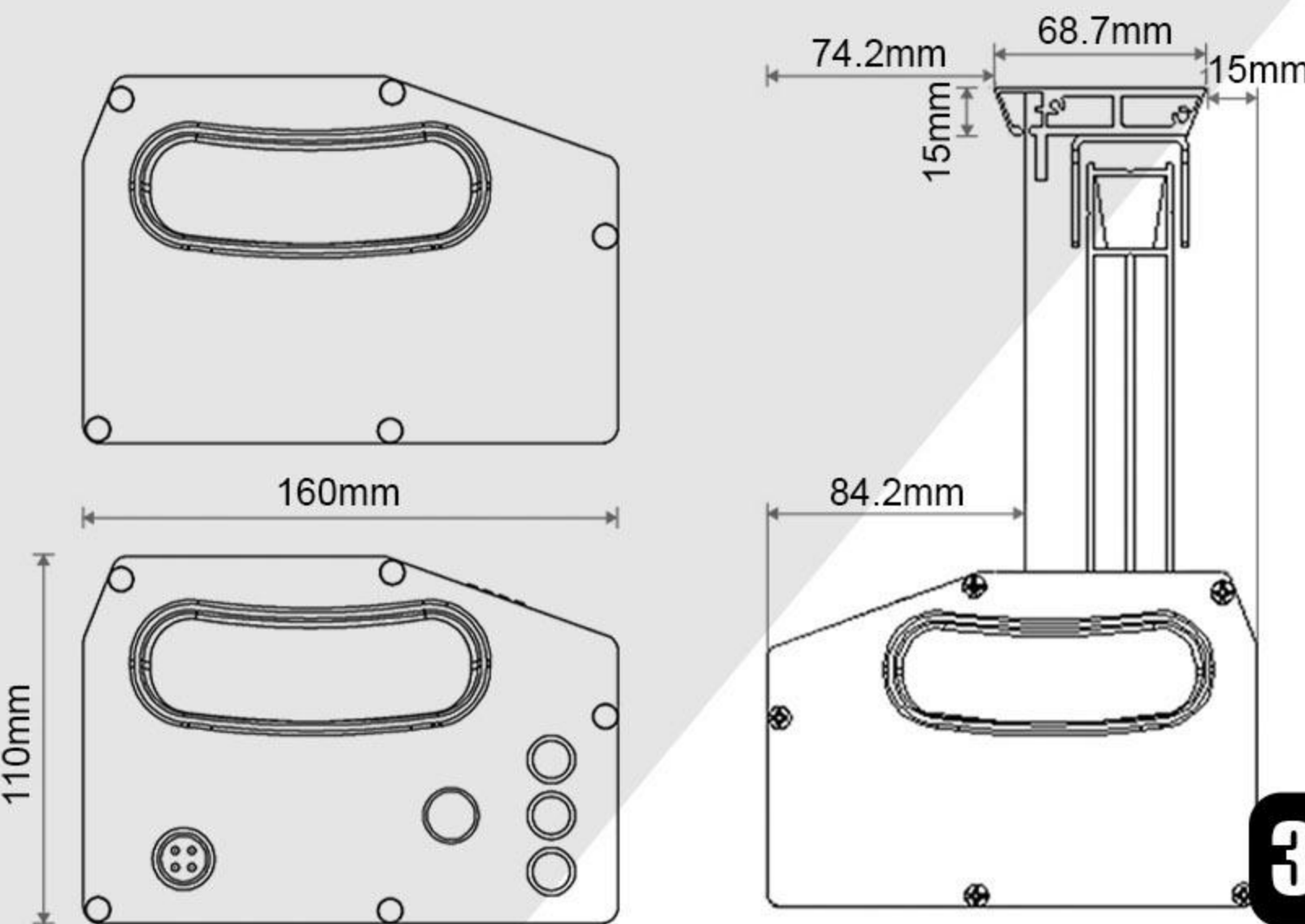
Strong support rod to make the screen more smooth



The screen is designed with wire drawing to make the screen flat



Groove handle design More convenient to carry



30

Video Format:	Screen Size	Viewing Area(mm)		Border(mm)	Product Dimension(mm)	Packing Dimension(mm)	N.W(kg)	G.W(kg)
	(HxW, inches)	H	W	H1/H2				
16:9	84"(49"x87")	1043	1854	40/200	2195*160*110	2177*240*190	21.40	23.30
	92"(49"x87")	1143	2032	40/200	2370*160*110	2257*240*190	23.20	25.30
	100"(49"x87")	1243	2210	40/200	2545*160*110	2432*240*190	25.50	27.60
	110"(59"x105")	1372	2438	40/200	2775*160*110	2607*240*190	27.20	29.30
	120"(59"x105")	1500	2667	40/200	2995*160*110	2737*240*190	29.30	31.40
	135"(74"x131")	1686	2997	40/300	3335*160*110	3397*240*190	33.10	35.80
	150"(74"x131")	1872	3327	40/300	3665*160*110	3727*240*190	37.50	40.10

Giant Tension Engineering Electric Screen



For better protection against the risk in transportation for either container or LCL shipment, wooden box will be provided upon customer request.



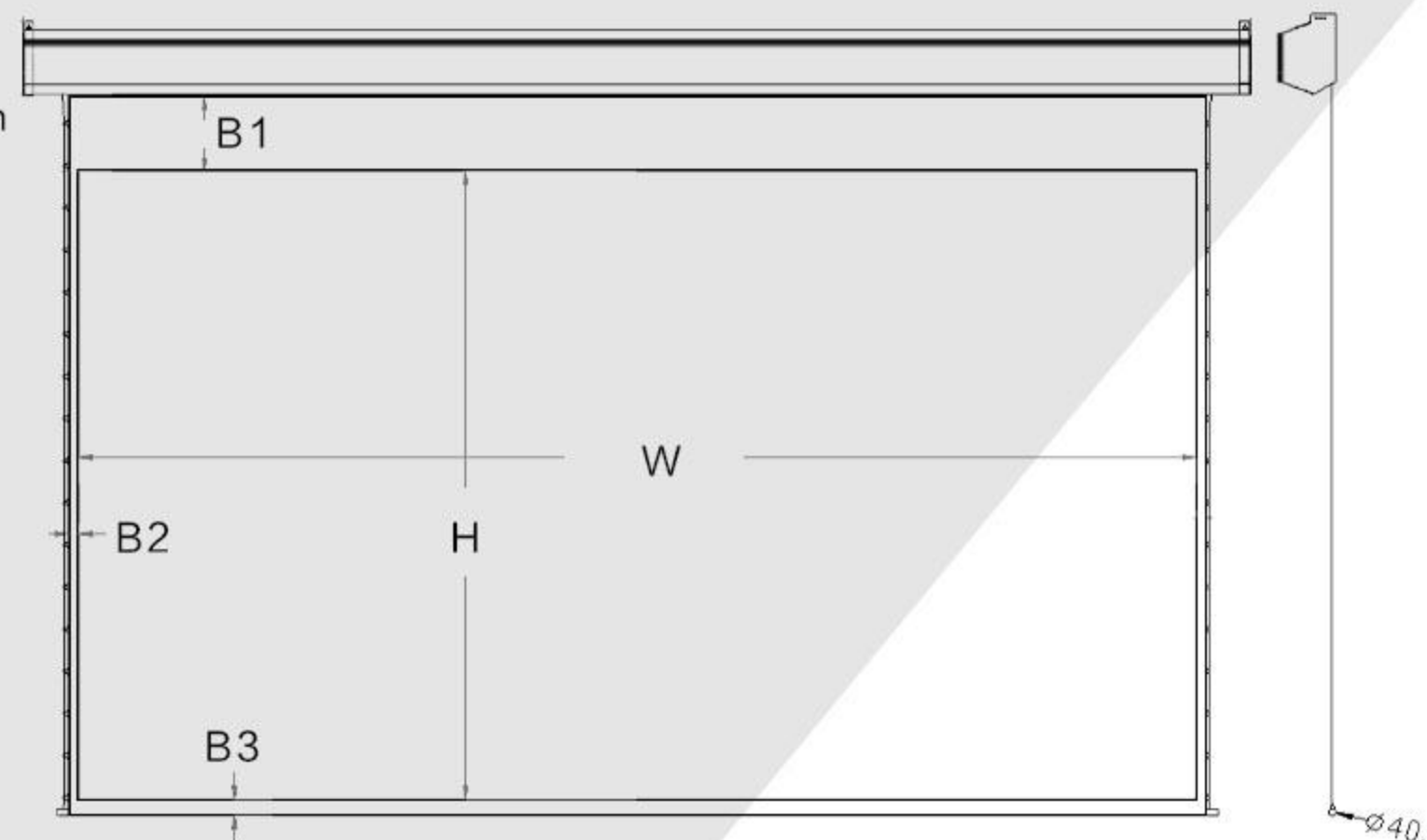
Make of high quality steel in hexagonal structure, offering high housing strength in preventing twist and bending due to motor and its own weight.



Incorporated with elastic fabric and weighted slat bar, the tab tensioned system offer the best flatness among all rolling type electric screens.



Remote control offers the convenient operation.

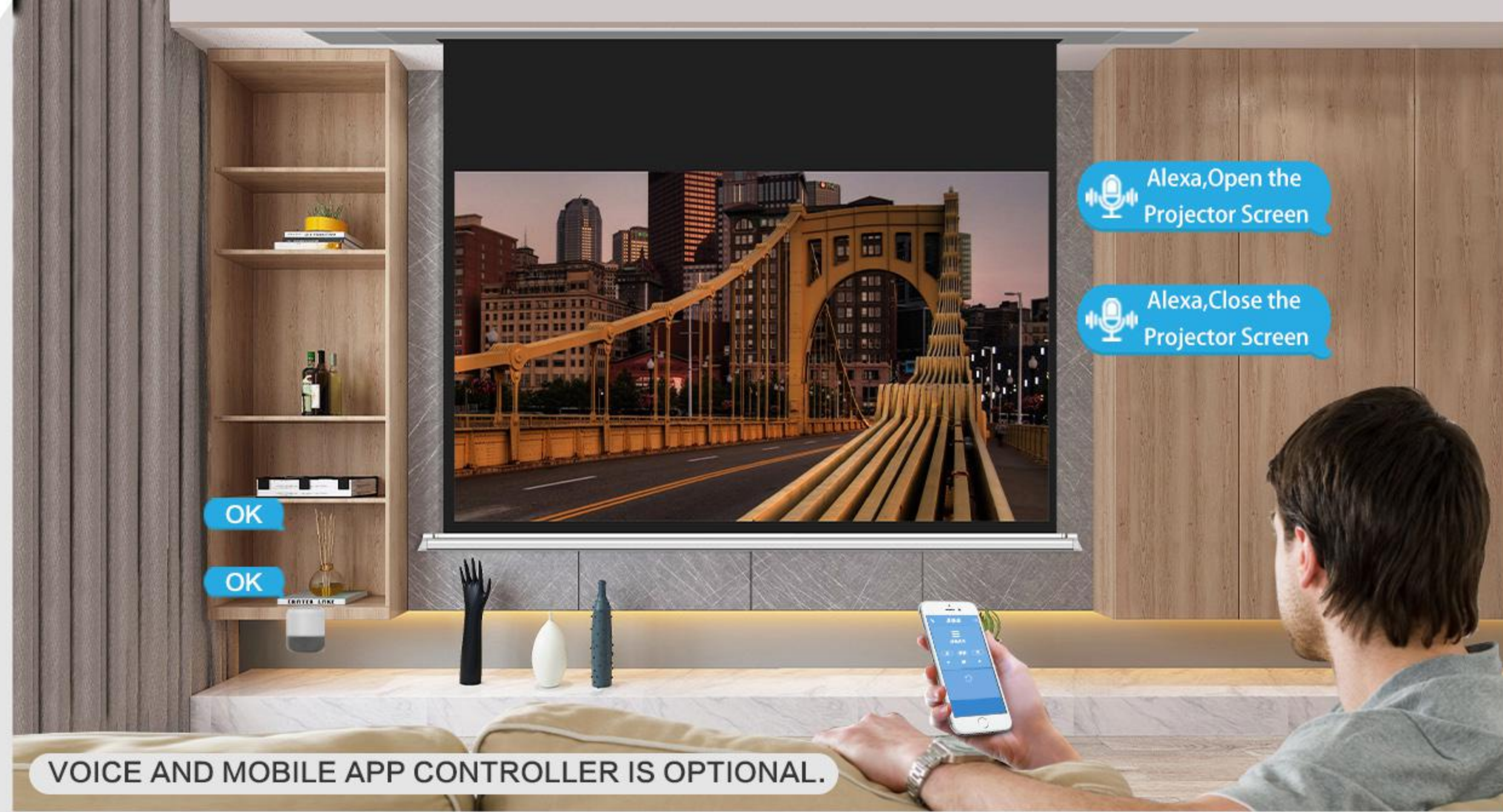


- Specially designed tab tensioned structure to enhance overall flatness
- Elastic PVC matte white fabric
- Powered by large tubular motor for the best durability and performance
- Powder coated white hexagon steel case
- Durable steel end caps with holes for wall or ceiling installation
- Pre-wired power cord with integrated switch
- IR / RF remote control are available (Optional)

Type	Code	Description	Gain	Viewing Angle	Thickness	4K UHD	3D Enhanced	High Contrast	Excellent Color Rendering	Washable	Ambient Light Rejection	Acoustic Transparent
Elastic PVC Series	FWC	PVC Front Projection Matte White	1.05	2a=165°	0.32 ±0.02mm	✓				✓		
	FGG	PVC Front Projection Silver Grey	1.50	2a=120°	0.38 ±0.03mm	✓	✓	✓	✓	✓		
	FGB	PVC Front Projection Matte Grey	0.85	2a=165°	0.34 ±0.02mm	✓		✓	✓	✓		
Acoustic Transparent Series	ATW	PVC Perforated Acoustic Transparent Front Projection Matte White	1.10	2a=165°	0.32 ±0.02mm	✓				✓		✓

Video Format:	Screen Size	Viewing Area(mm)		Border(mm)	Product Dimension(mm)	Packing Dimension(mm)	N.W(kg)	G.W(kg)
	(HxW, inches)	H	W	B1/B2/B3				
1:1	238"(168"x168")	4267	4267	0/50/50	4510*125*200	4570*180*250	80.0	90.0
	271"(192"x192")	4876	4876	0/50/50	5140*165*220	5250*210*270	100.0	110.0
4:3	300"(180"x240")	4572	6096	50/50/50	6596*200*260	6646*250*310	80.0	90.0
	350"(210"x280")	5334	7112	50/50/50	7850*220*350	7900*270*400	100.0	110.0
	400"(240"x320")	6096	8128	50/50/50	8850*220*350	8900*270*400	120.0	130.0
16:9	300"(147"x261")	3734	6629	300/50/50	7130*200*260	7180*250*310	80.0	90.0
	400"(196"x348")	4978	8839	300/50/50	9580*250*350	9630*300*400	120.0	130.0

Premium In-ceiling Electric Screen



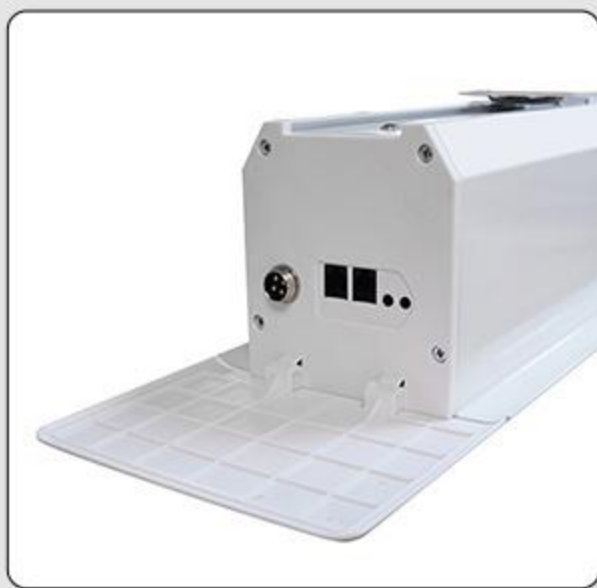
one piece Aluminum profiled housing with Piano white finishing. Special internal ribs design helps to minimize vibration, as well as the noise during operation.



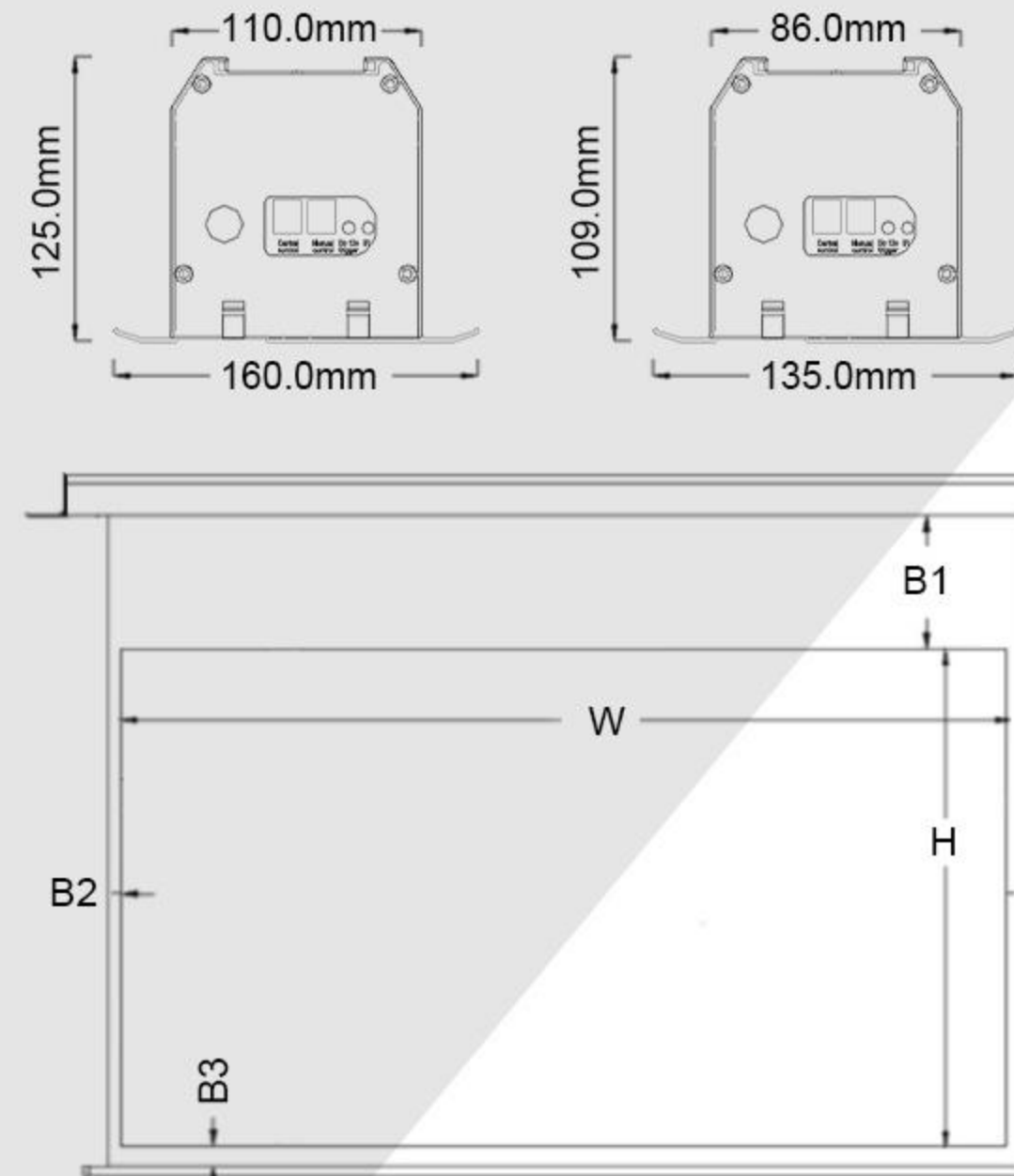
Full installation kit set including detachable access panel, mounting bracket, anchor rods ... etc. are all included.



Powered by tubular motor with thermal overload cut-out device. Silent motor reduce the voice in operation, 10-years warranty.



Integrated with built-in RF, IR, 12V trigger and programmable control interface.



- Recess into false ceiling
- Elegant – aluminum profiled housing with piano White finishing
- Total control – RF, 12V trigger, programmable control and manual control panel
- Powered by silent tubular motor for the best durability
- Come with detachable access panel for installation

Type	Code	Description	Gain	Viewing Angle	Thickness	4K UHD	3D Enhanced	High Contrast	Excellent Color Rendering	Washable	Ambient Light Rejection	Acoustic Transparent
Fiberglass Series	MWA	Fiberglass PVC laminated Front Projection Matte White	1.10	2a=165°	0.37 ± 0.02mm	✓				✓		
Polyester Series	MWB	Polyester Woven PVC laminated Front Projection Matte White	1.00	2a=165°	0.42 ± 0.03mm	✓				✓		
	MWL	Polyester Woven PVC laminated Front Projection Matte White	1.00	2a=165°	0.35 ± 0.02mm					✓		
	MWK	Polyester Warp Knitting PVC laminated Front Projection Matte White	1.00	2a=150°	0.38 ± 0.02mm					✓		

Video Format:	Screen Size	Viewing Area(mm)		Border(mm)	Product Dimension(mm)	Packing Dimension(mm)	N.W(kg)	G.W(kg)
	(HxW, inches)	H	W	B1/B2/B3				
4:3	100"(60"x80")	1524	2032	450/40/40	2267*135*109	2363*192*164	22.50	24.50
	120"(72"x96")	1829	2438	450/40/40	2673*160*125	2754*226*194	26.60	28.60
	150"(90"x120")	2286	3048	450/40/40	3358*160*125	3428*226*194	34.95	36.95
16:9	92"(45"x80")	1143	2032	600/40/40	2267*135*109	2363*192*164	20.10	22.10
	120"(59"x105")	1500	2667	600/40/40	2937*160*125	2983*226*194	25.26	27.26
	135"(66"x118")	1686	2997	600/40/40	3310*160*125	3377*226*194	29.76	31.76
	150"(74"x131")	1872	3327	600/40/40	3637*160*125	3707*226*194	33.06	35.06

Linda Electric Projector Screen



VOICE AND MOBILE APP CONTROLLER IS OPTIONAL.



Fully sliding mount brackets included enable one-man quick installation.



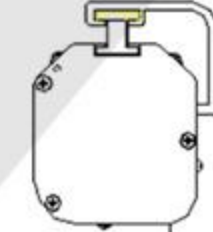
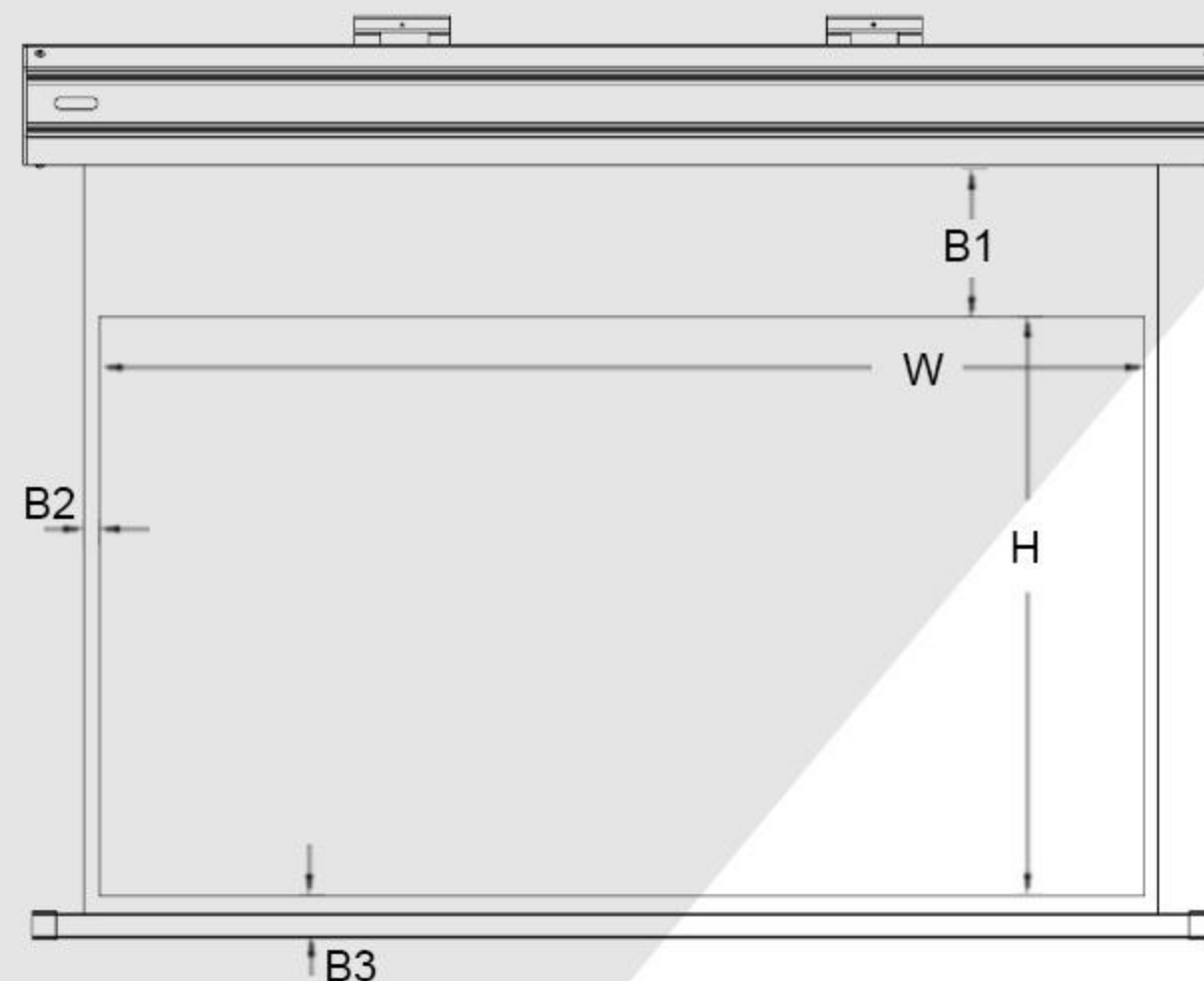
Powder-coated Aluminium casing with white fine gloss finishing in a stylish shape.



Silent tubular motor is stable, energy efficient that ensure effective and reliable operation.



Total control solution for RF, IR, 12V trigger and programmable remote control.



- Large roller for ultimate flatness
- Powder coated white aluminum casing
- Pre-wired power cord with integrated switch
- Powered by silent tubular motor for best durability
- Convenient mounting system with adjustable mount for easy installation
- Multi-functional Remote control is optional – RF +IR + 12V trigger + central control

Type	Code	Description	Gain	Viewing Angle	Thickness	4K UHD	3D Enhanced	High Contrast	Excellent Color Rendering	Washable	Ambient Light Rejection	Acoustic Transparent
			Lightbulb icon	Eye icon	Hammer icon	4K ULTRA HD icon	3D glasses icon	Black/White icon	Color wheel icon	Water drop icon	Speaker icon	Microphone icon
Fiberglass Series	MWA	Fiberglass PVC laminated Front Projection Matte White	1.10	2a=165°	0.37 ±0.02mm	✓				✓		
Polyester Series	MWB	Polyester Woven PVC laminated Front Projection Matte White	1.00	2a=165°	0.42 ±0.03mm	✓				✓		
	MWL	Polyester Woven PVC laminated Front Projection Matte White	1.00	2a=165°	0.35 ±0.02mm					✓		
	MWK	Polyester Warp Knitting PVC laminated Front Projection Matte White	1.00	2a=150°	0.38 ±0.02mm					✓		

Video Format:	Screen Size	Viewing Area(mm)		Border(mm)	Product Dimension(mm)	Packing Dimension(mm)	N.W(kg)	G.W(kg)
	(HxW, inches)	H	W	B1/B2/B3				
4:3	100"(60"x80")	1524	2032	45/40/40	2258*92*101	2485*170*165	12.30	15.60
	120"(72"x96")	1829	2438	45/40/40	2664*92*101	2891*170*165	14.90	18.60
	150"(90"x120")	2286	3048	80/60/60	3314*92*101	3541*170*165	19.60	21.70
16:9	92"(45"x80")	1143	2032	450/40/40	2258*92*101	2485*170*165	13.00	16.30
	120"(59"x105")	1499	2667	450/40/40	2893*92*101	3120*170*165	16.90	19.40
	130"(64"x113")	1626	2870	450/40/40	3096*92*101	3323*170*165	18.50	20.08
	150"(74"x131")	1880	3327	450/60/60	3593*92*101	3820*170*165	22.10	24.20

Hermes Pro-line Electric Screen



Powder coated white hexagonal steel casing is durable and elegant.



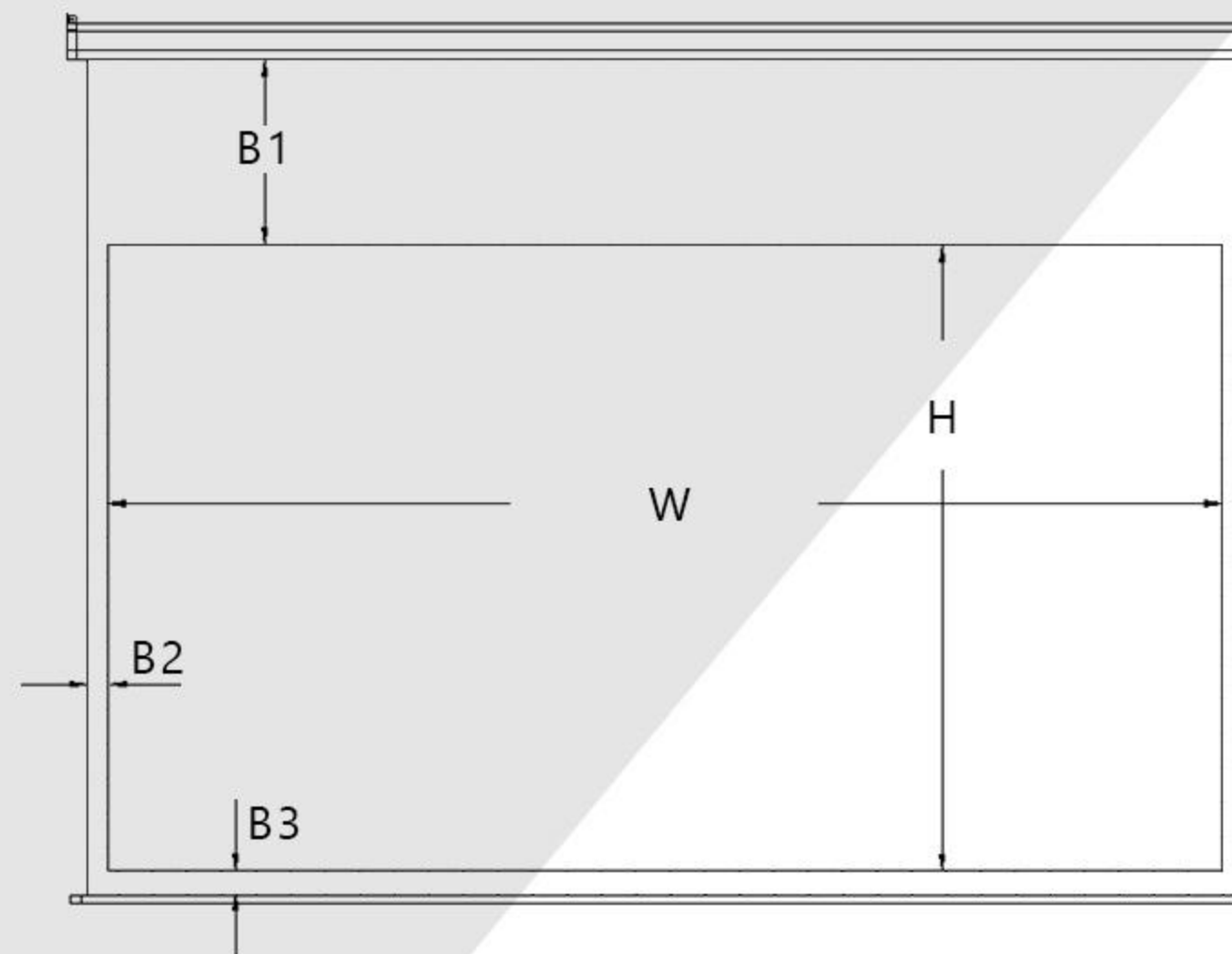
Made of high quality steel in hexagonal structure, offering high housing strength in preventing twist and bending due to motor and its own weight.



Tubular motor is stable, energy efficient that ensure effective and smooth operation.



Steel end caps with holes provides choices for wall or ceiling installation.



- Powered by silent tubular motor for the best durability
- Powder coated white hexagon steel case
- Durable steel end caps with holes for wall or ceiling installation
- Pre-wired power cord with integrated switch
- Remote control is optional

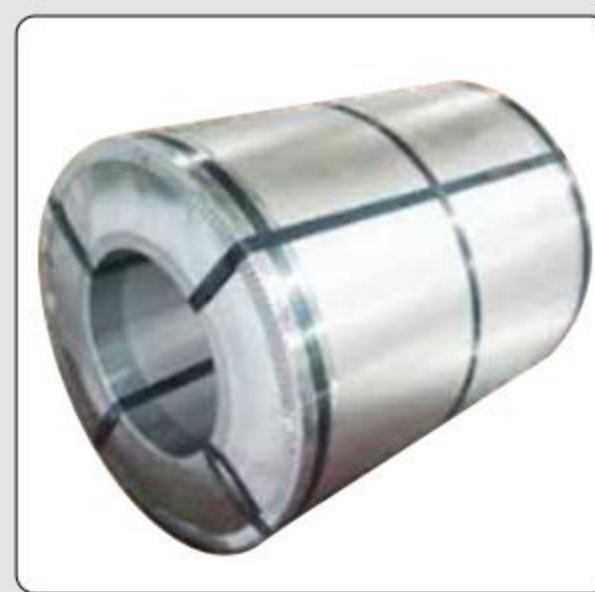
Type	Code	Description	Gain	Viewing Angle	Thickness	4K UHD	3D Enhanced	High Contrast	Excellent Color Rendering	Washable	Ambient Light Rejection	Acoustic Transparent
Fiberglass Series	MWA	Fiberglass PVC laminated Front Projection Matte White	1.10	2a=165°	0.37 ±0.02mm	✓				✓		
Polyester Series	MWB	Polyester Woven PVC laminated Front Projection Matte White	1.00	2a=165°	0.42 ±0.03mm	✓				✓		
	MWL	Polyester Woven PVC laminated Front Projection Matte White	1.00	2a=165°	0.35 ±0.02mm					✓		
	MWK	Polyester Warp Knitting PVC laminated Front Projection Matte White	1.00	2a=150°	0.38 ±0.02mm					✓		

Video Format:	Screen Size	Viewing Area(mm)		Border(mm)	Product Dimension(mm)	Packing Dimension(mm)	N.W(kg)	G.W(kg)
	(HxW, inches)	H	W	B1/B2/B3				
1:1	84"(60"x60")	1524	1524	45/30/30	1657*68*84	1912*150*135	6.2	7.2
	100"(70"x70")	1778	1778	45/30/30	1911*68*84	2166*150*135	7.2	8.3
4:3	84"(50"x67")	1270	1702	40/30/30	1840*68*84	2095*150*135	6.5	7.6
	100"(60"x80")	1524	2032	40/40/40	2209*96*130	2484*185*150	13.4	15.3
	120"(72"x96")	1829	2438	40/40/40	2535*96*130	2810*185*150	15.3	17.5
16:9	92"(45"x80")	1143	2032	450/40/40	2209*96*130	2484*185*150	13.4	15.4
	110"(54"x96")	1372	2438	450/40/40	2535*96*130	2810*185*150	15.2	17.5

Neptune Tubular Electric Projector Screen



Special tooling for unique Semi circular casing. Coated with white powder make it differentiates from other standard product in the



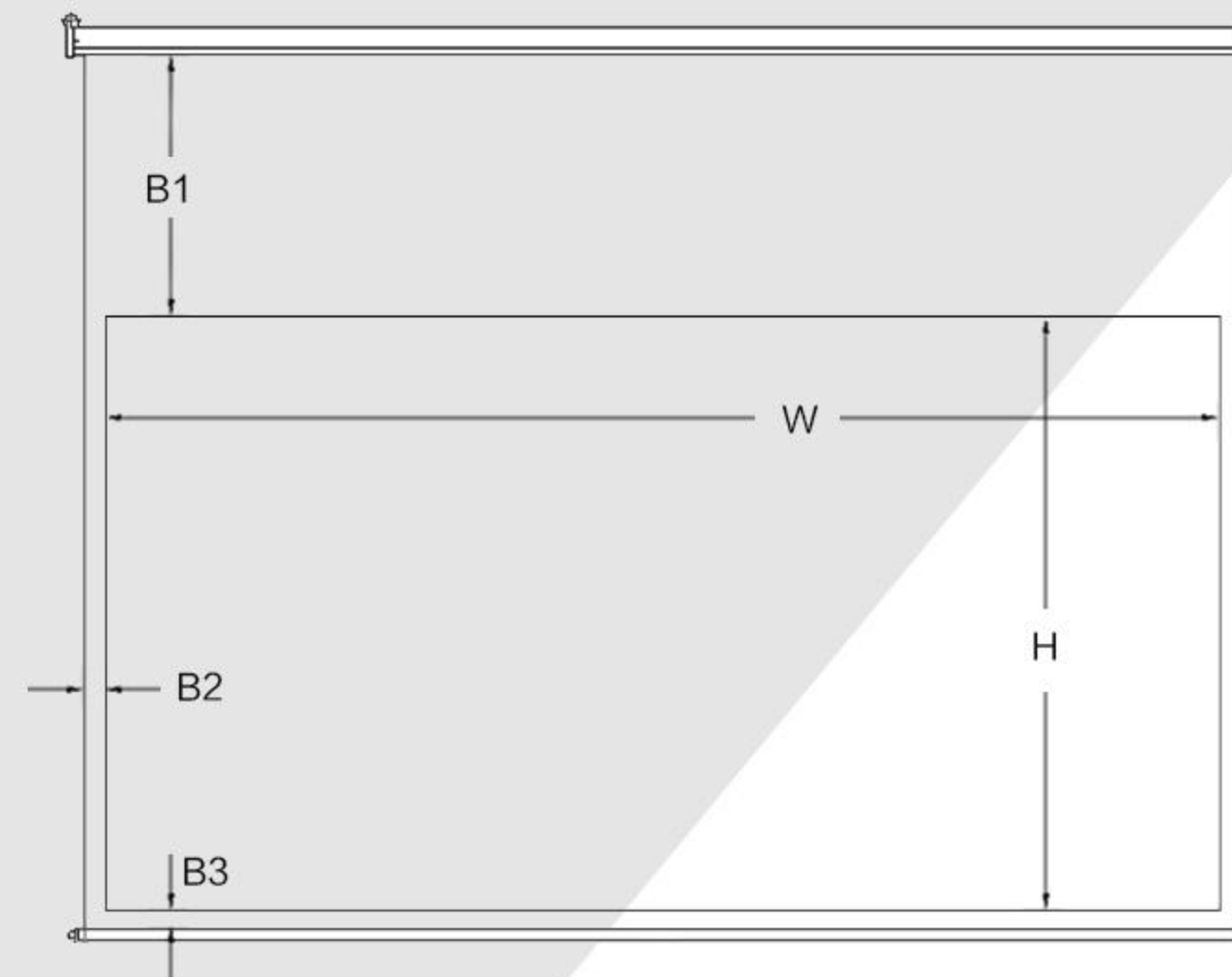
Galvanized steel casing with reinforced ribs, keeping the casing straight against the torque from motor.



Tubular motor is stable, energy efficient that ensure effective and smooth operation.



Optional in-line control switch makes provide simplest operation.

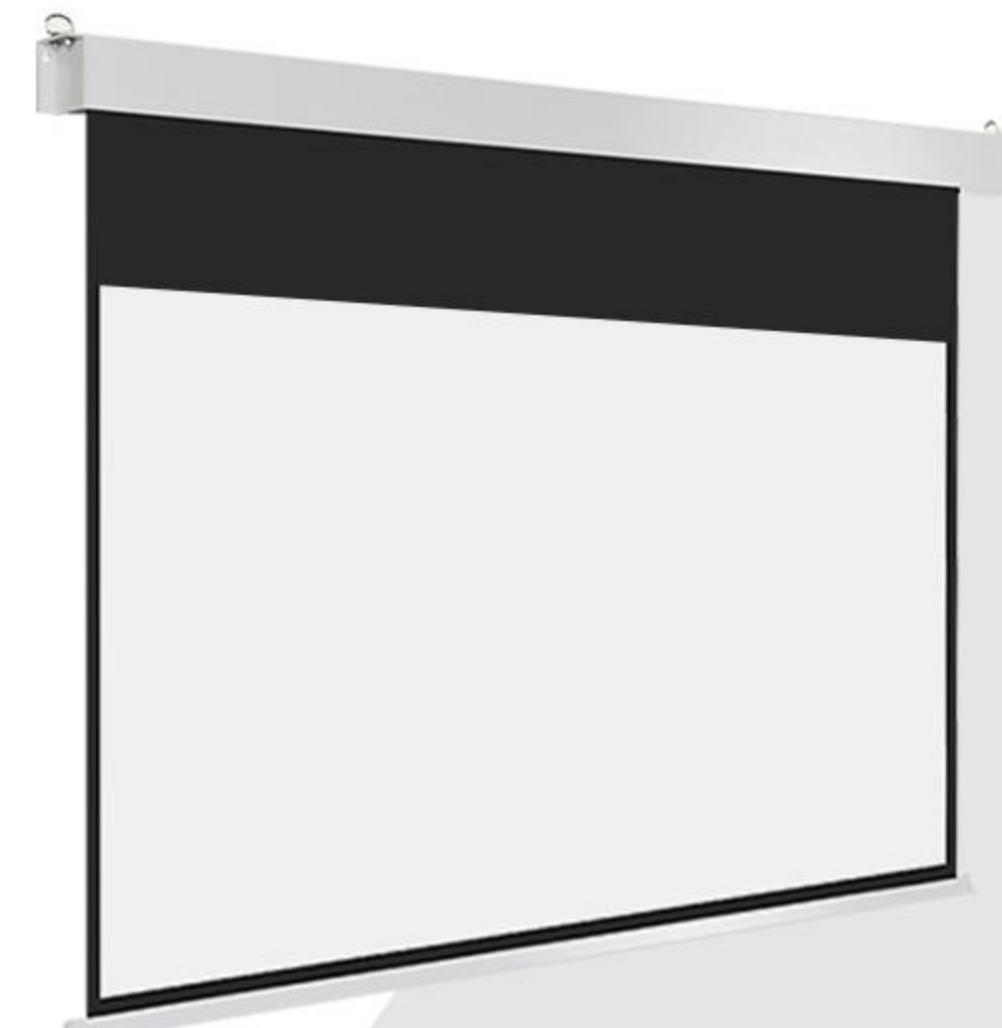


- Powered by silent tubular motor for the best durability
- Unique D shape white powder coated galvanized steel housing
- Plastic end caps with D rings and key holds for wall and ceiling installation
- Pre-wired power cord with integrated switch
- Remote control is optional

Type	Code	Description	Gain	Viewing Angle	Thickness	4K UHD	3D Enhanced	High Contrast	Excellent Color Rendering	Washable	Ambient Light Rejection	Acoustic Transparent
Fiberglass Series	MWA	Fiberglass PVC laminated Front Projection Matte White	1.10	2a=165°	0.37 ±0.02mm	✓				✓		
Polyester Series	MWB	Polyester Woven PVC laminated Front Projection Matte White	1.00	2a=165°	0.42 ±0.03mm	✓				✓		
	MWL	Polyester Woven PVC laminated Front Projection Matte White	1.00	2a=165°	0.35 ±0.02mm					✓		
	MWK	Polyester Warp Knitting PVC laminated Front Projection Matte White	1.00	2a=150°	0.38 ±0.02mm					✓		

Video Format:	Screen Size	Viewing Area(mm)		Border(mm)	Product Dimension(mm)	Packing Dimension(mm)	N.W(kg)	G.W(kg)
	(HxW, inches)	H	W	B1/B2/B3				
4:3	100"(60"x80")	1524	2032	45/40/40	2181*82*93	2466*140*130	8.6	9.8
	120"(72"x96")	1829	2430	45/40/40	2507*82*93	2792*140*130	9.9	11.2
16:9	100"(49"x87")	1245	2210	475/40/40	2359*82*93	2644*140*130	9.3	10.6
	120"(59"x105")	1500	2667	430/40/40	2816*82*93	3010*140*130	11.0	12.5
	130"(64"x113")	1626	2870	430/40/40	3019*82*93	3304*140*130	11.9	13.5
16:10	100"(53"x85")	1346	2159	430/40/40	2308*82*93	2593*140*130	9.3	10.5
	120"(64"x102")	1626	2591	430/40/40	2740*82*93	3025*140*130	11.0	12.4

Manto Tubular Electric Projector Screen



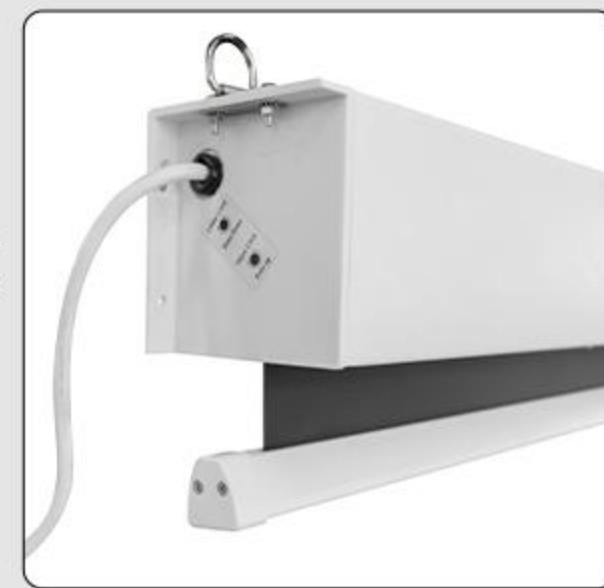
Plastic end caps with holes provides choices for wall or ceiling installation.



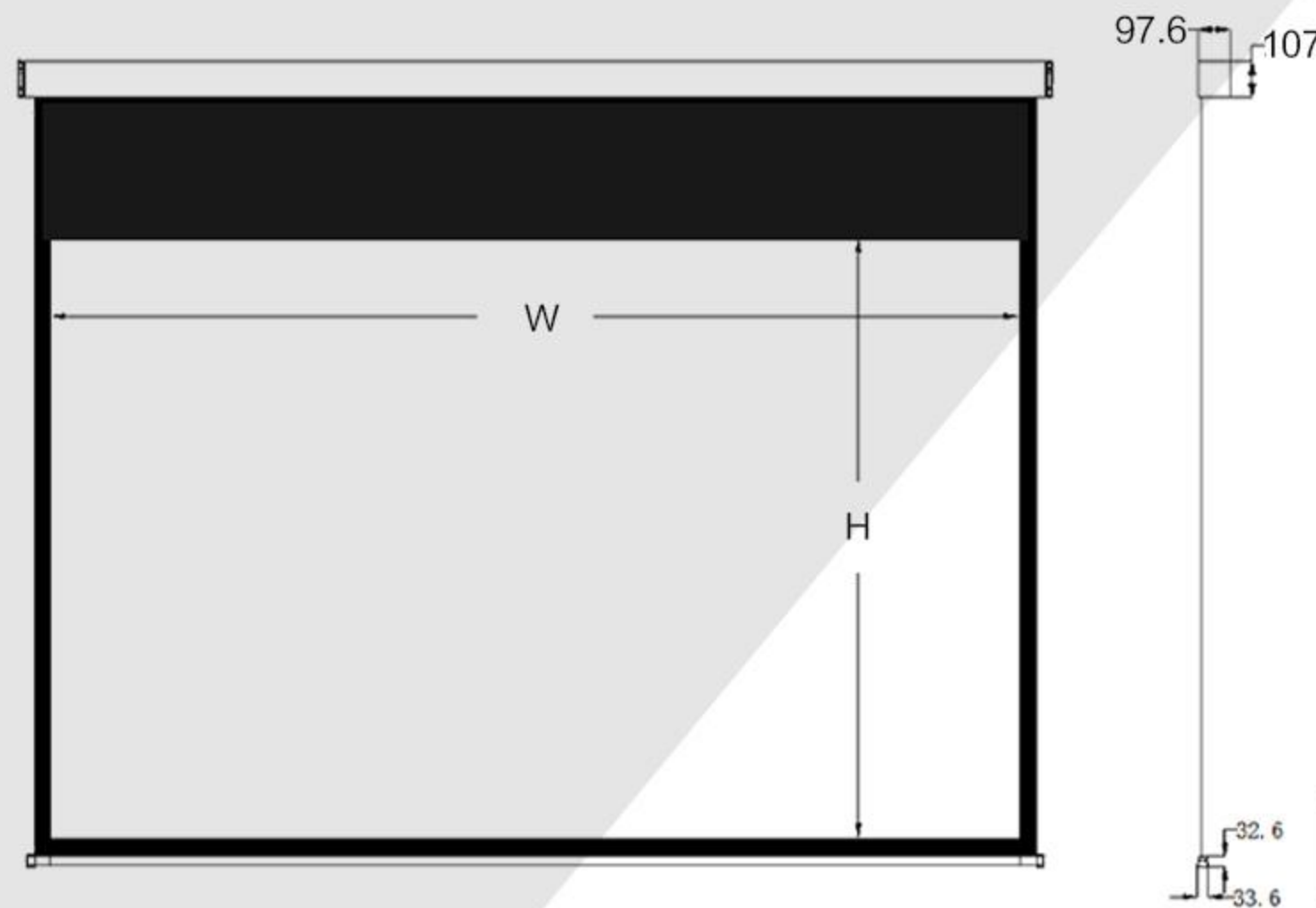
The triangular slat bar retracts into the case for a clean finish.



Silent tubular motor is stable, energy efficient that ensure effective and smooth operation.



Square casing is special designed for interior design. Slat is totally hidden inside the casing when screen is retracted, which is perfect for false ceiling installation.



41



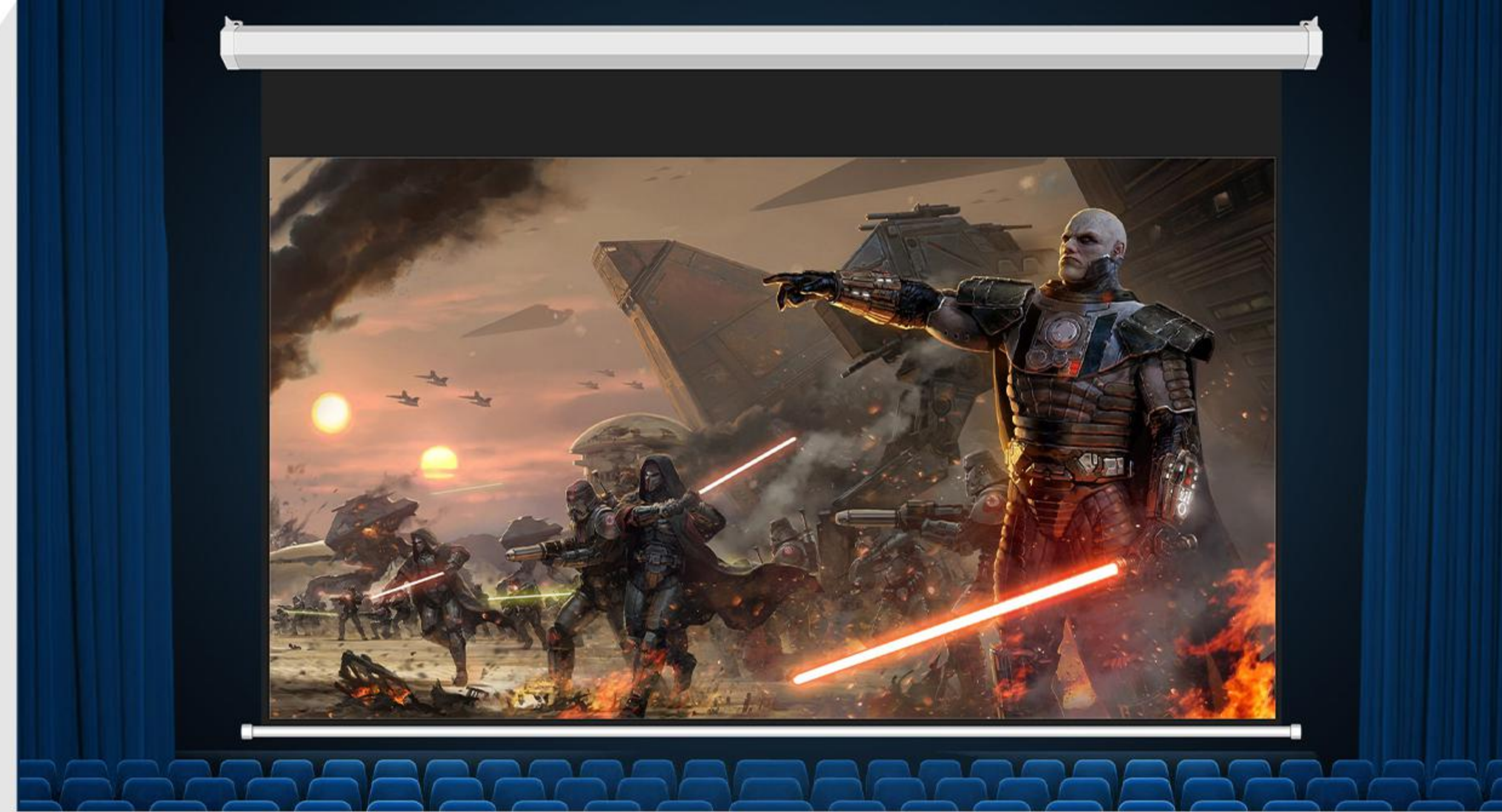
- Easy to integrate with interior design by its square housing and triangular lower bar
- Powered by silent tubular motor for the best durability
- Plastic end caps with holes for wall or ceiling installation
- Pre-wired power cord with integrated switch
- Remote control is optional

Type	Code	Description	Gain	Viewing Angle	Thickness	4K UHD	3D Enhanced	High Contrast	Excellent Color Rendering	Washable	Ambient Light Rejection	Acoustic Transparent
Fiberglass Series	MWA	Fiberglass PVC laminated Front Projection Matte White	1.10	2a=165°	0.37 ±0.02mm	✓				✓		
Polyester Series	MWB	Polyester Woven PVC laminated Front Projection Matte White	1.00	2a=165°	0.42 ±0.03mm	✓				✓		
	MWL	Polyester Woven PVC laminated Front Projection Matte White	1.00	2a=165°	0.35 ±0.02mm					✓		
	MWK	Polyester Warp Knitting PVC laminated Front Projection Matte White	1.00	2a=150°	0.38 ±0.02mm					✓		

42

Video Format:	Screen Size	Viewing Area(mm)		Border(mm)	Product Dimension(mm)	Packing Dimension(mm)	N.W(kg)	G.W(kg)
	(HxW, inches)	H	W	B1/B2/B3				
4:3	100"(60"x80")	1524	2032	45/40/40	2208*67*75	2460*135*130	10.1	11.4
	120"(72"x96")	1829	2438	45/40/40	2534*67*75	2786*135*130	11.6	13.1
16:9	100"(49"x87")	1245	2210	450/40/40	2386*67*75	2638*135*130	10.9	12.3
	120"(59"x105")	1500	2667	450/40/40	2843*75*83	3095*140*130	14.0	15.8
	150"(74"x131")	1880	3327	450/60/60	3557*97*107	3809*163*155	22.0	24.5
16:10	100"(53"x85")	1346	2159	450/40/40	2335*67*75	2587*135*130	11.7	13.2
	120"(64"x102")	1626	2591	450/40/40	2761*75*83	3013*140*130	13.9	15.6

Giant Engineering Electric Screen



- Powered by large tubular motor for the best durability and performance
- Powder coated white Hexagon steel case
- Durable steel end caps with holes for wall or ceiling installation
- Pre-wired power cord with integrated switch
- IR / RF remote control are available (Optional)

Type	Code	Description	Gain	Viewing Angle	Thickness	4K UHD	3D Enhanced	High Contrast	Excellent Color Rendering	Washable	Ambient Light Rejection	Acoustic Transparent
Fiberglass Series	MWA	Fiberglass PVC laminated Front Projection Matte White	1.10	2a=165°	0.37 ±0.02mm	✓				✓		
Polyester Series	MWB	Polyester Woven PVC laminated Front Projection Matte White	1.00	2a=165°	0.42 ±0.03mm	✓				✓		
	MWL	Polyester Woven PVC laminated Front Projection Matte White	1.00	2a=165°	0.35 ±0.02mm					✓		
	MWK	Polyester Warp Knitting PVC laminated Front Projection Matte White	1.00	2a=150°	0.38 ±0.02mm					✓		



For better protection against the risk in transportation for either container or LCL shipment, wooden box will be provided upon customer request.



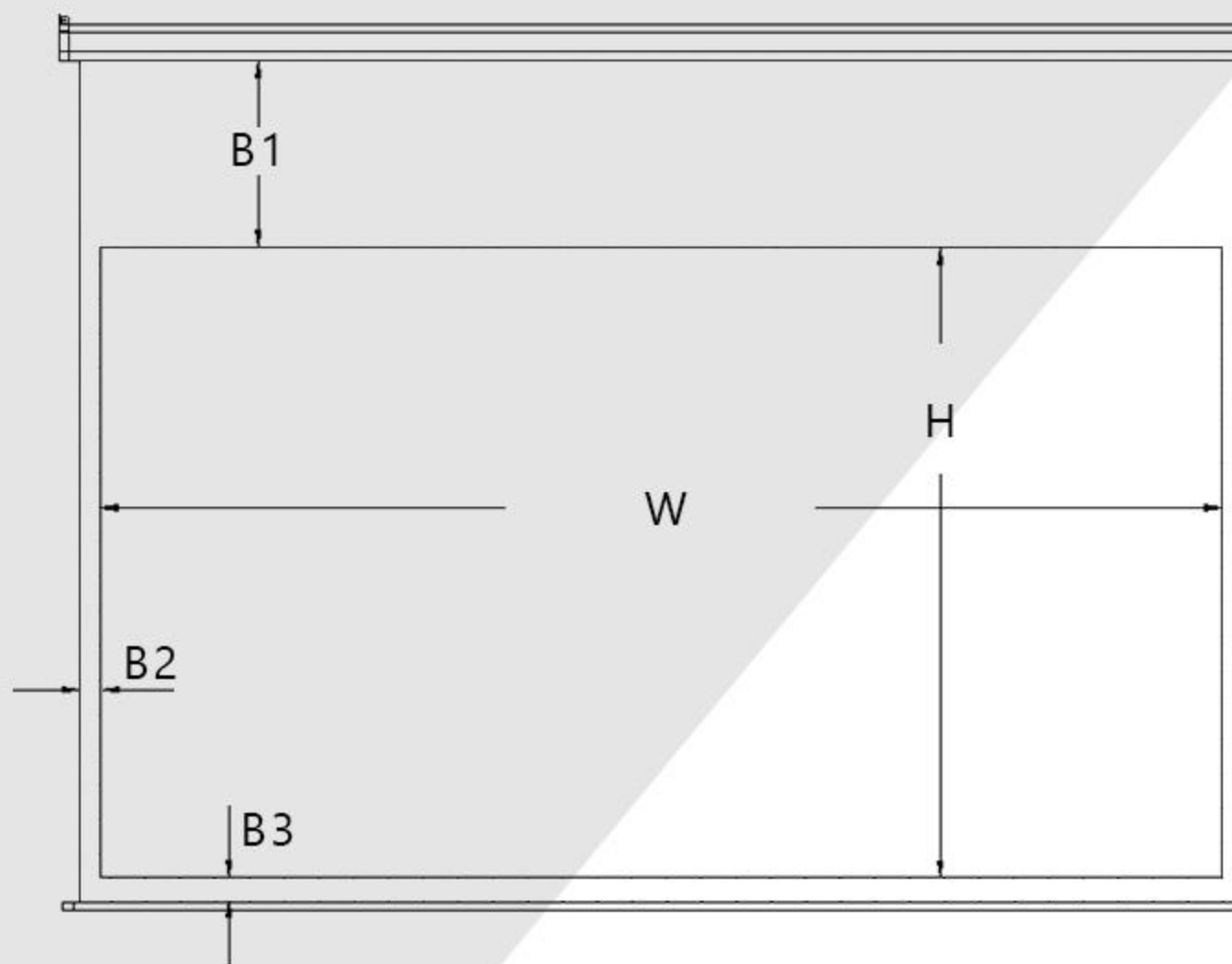
High quality ball bearing is being used to support the roller. It reduces noise during operation and significantly enhance the product lifetime.



Large scale tubular motor delivers sufficient torque and stability to sustain the weight of roller and fabric. Built-in thermal overload cutout is integrated for extra safety protection.

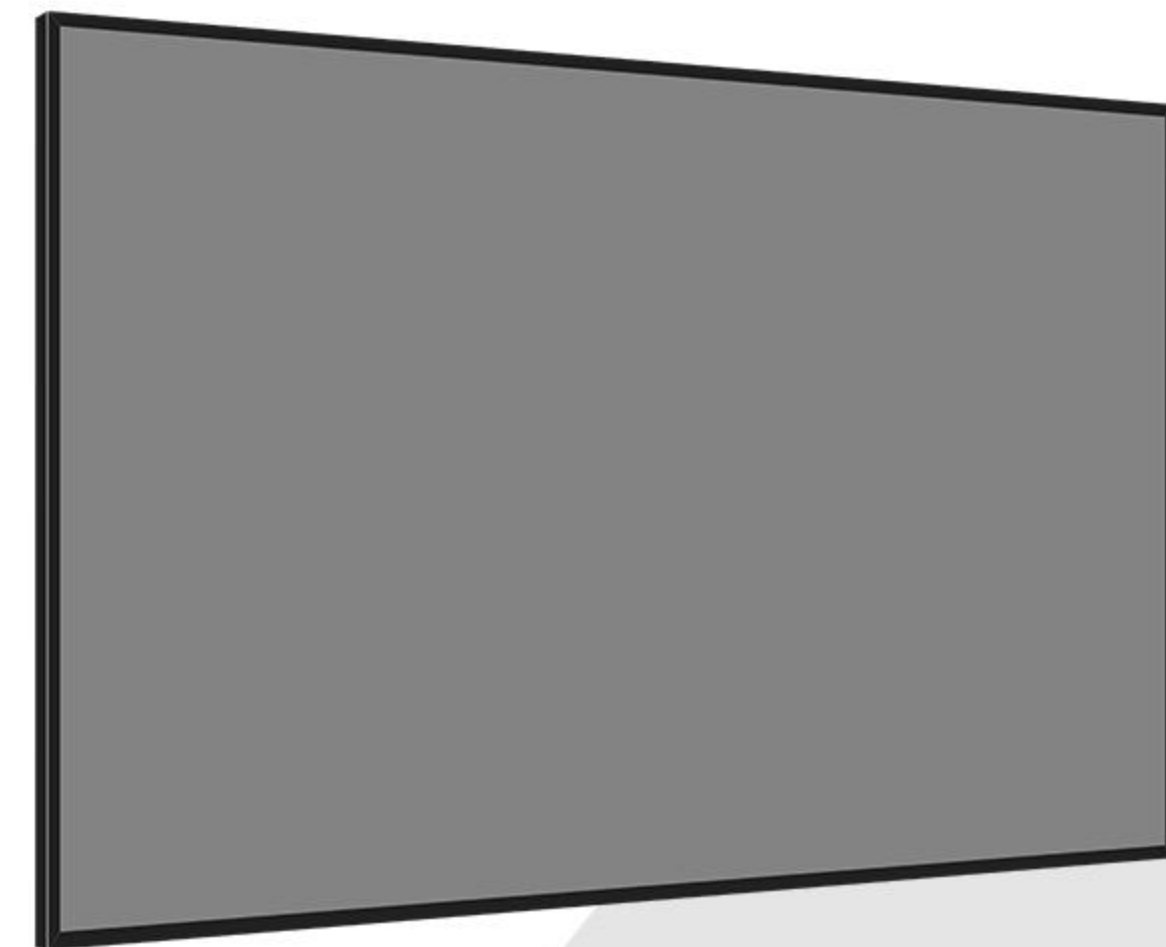


Remote control offers the convenient operation.

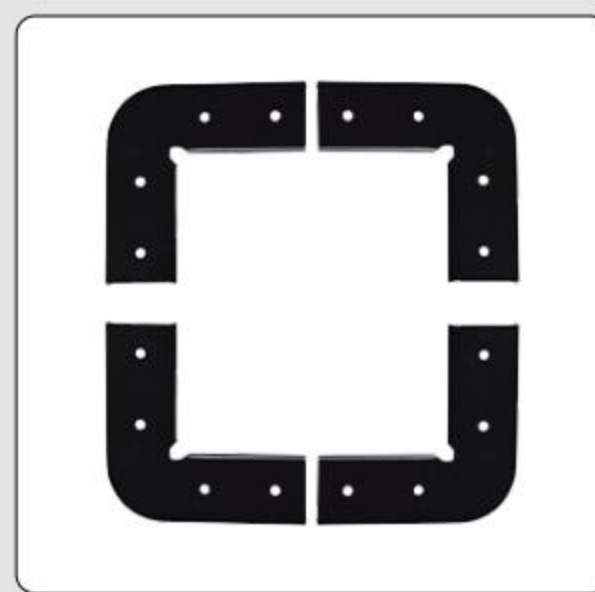


Video Format:	Screen Size	Viewing Area(mm)		Border(mm)	Product Dimension(mm)	Packing Dimension(mm)	N.W(kg)	G.W(kg)
	(HxW, inches)	H	W	B1/B2/B3				
4:3	300"(180"x240")	4572	6096	50/50/50	6396*200*260	6446*250*310	70.0	80.0
	350"(210"x280")	5334	7112	50/50/50	7650*220*350	7700*270*400	90.0	100.0
	400"(240"x320")	6096	8218	50/50/50	8650*220*350	8700*270*400	110.0	120.0
16:9	250"(122"x218")	3099	5537	300/50/50	5800*165*220	5850*210*270	50.0	60.0
	300"(147"x261")	3734	6629	300/50/50	6930*200*260	6980*250*310	70.0	80.0
	350"(171"x305")	4343	7747	300/50/50	8270*220*350	8230*270*400	90.0	100.0
	400"(196"x348")	4978	8839	300/50/50	9380*250*350	9430*300*400	110.0	120.0

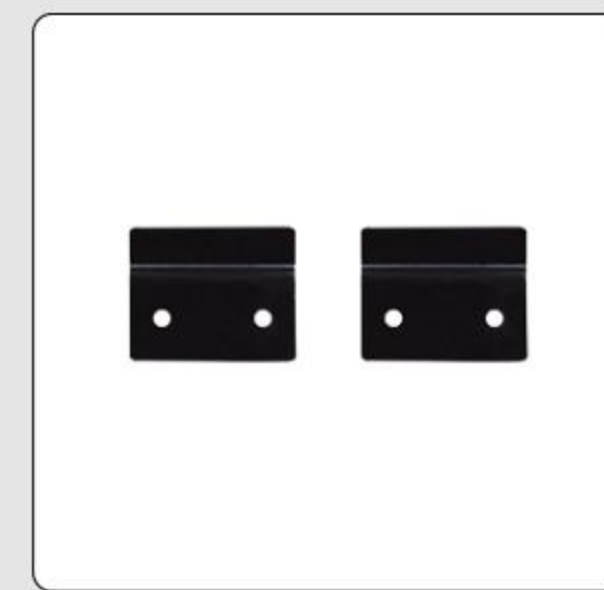
10mm Narrow Frame Screen



Equipped with spring tensioned mechanism, tensile force around the fabrics is evenly distributed, which offer the best flatness for ultimate projection effect.



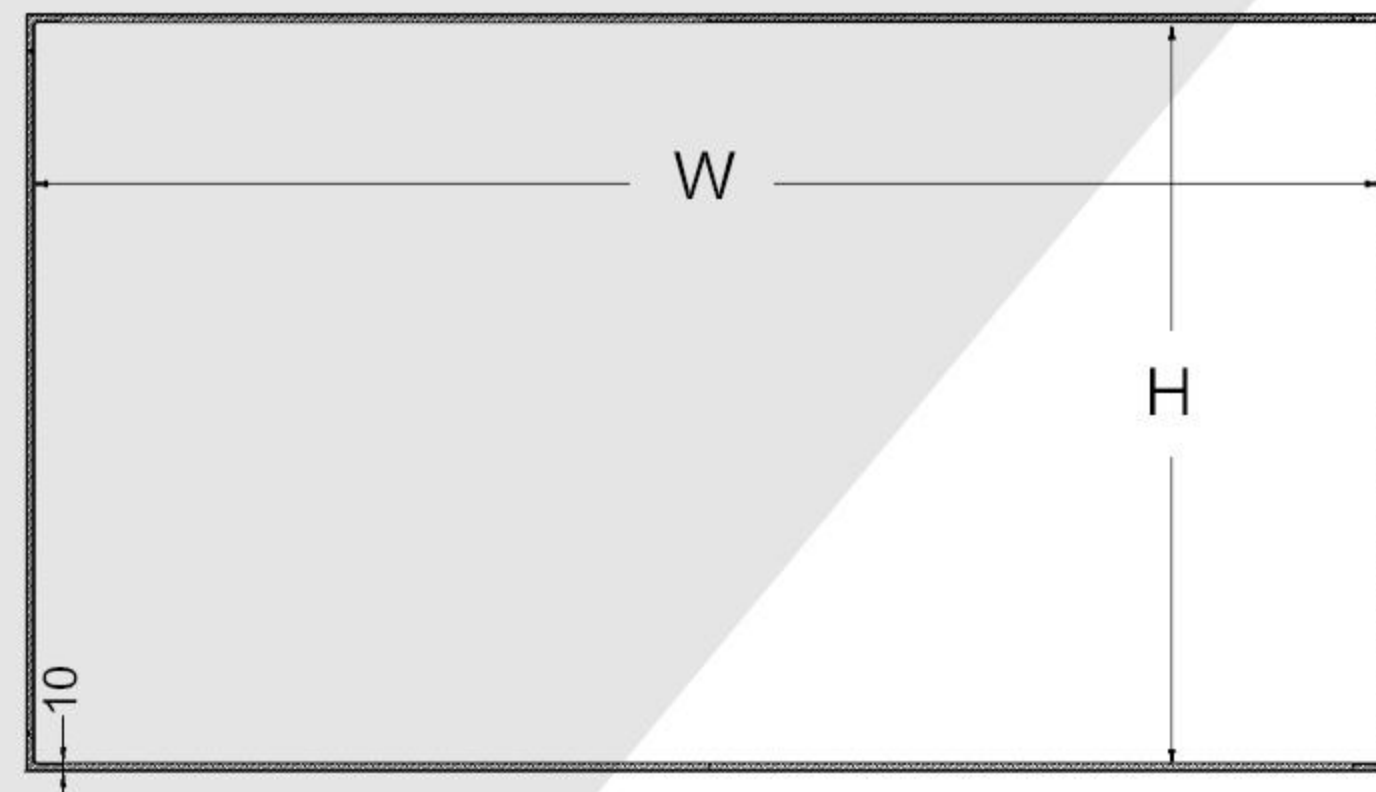
Insert type joint is applied to the entire frame, so the surface is perfectly flat.



Simple but reliable allow quick installation and availability of alignment adjustment.



Making transportation to the installation easier, especially when dealing with stairs, elevators and corners. Assembles easily on site.



45

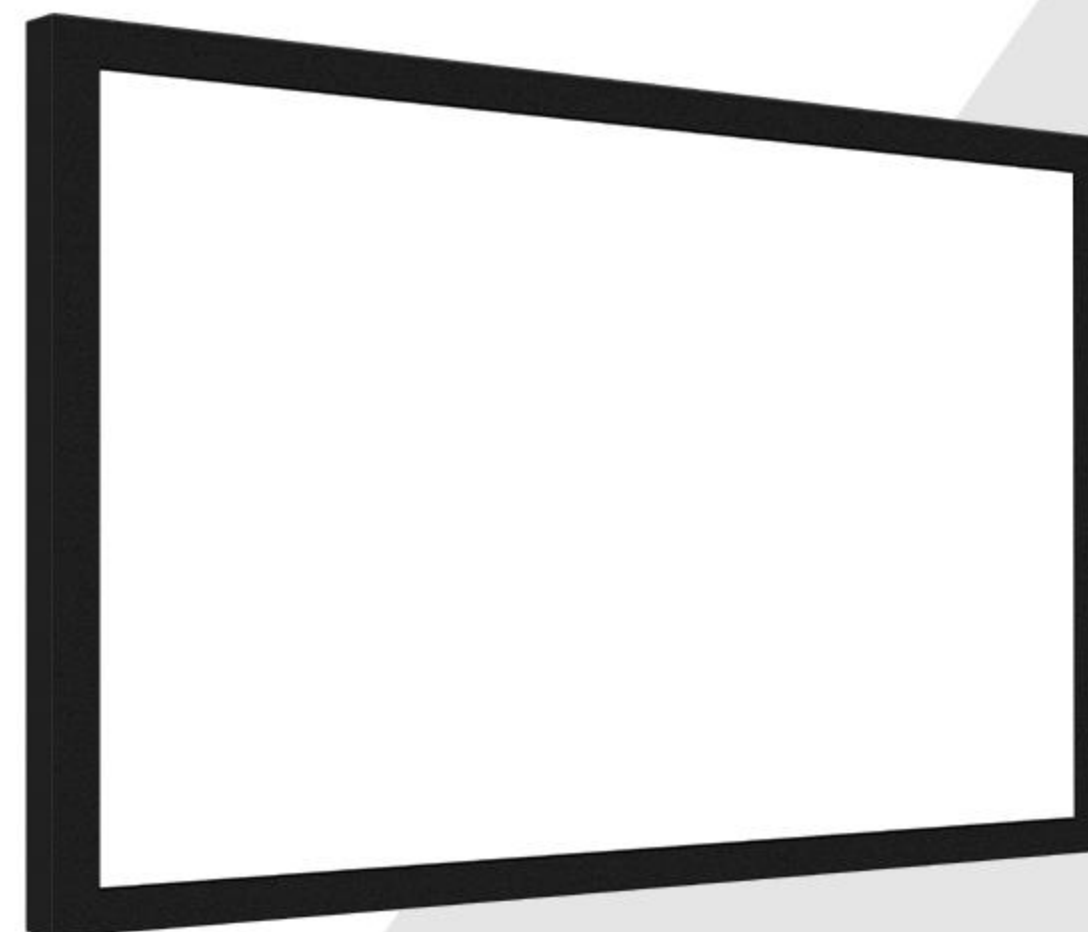
- Modern panel TV style with ultra-narrow barrel
- Rigid aluminum frame structure with internal insert corner brackets
- Elegant appearance—aluminum frame with baking finish.
- Spring mounted fabric offer the best tensional uniformity and overall flatness
- Reliable wall mount bracket simplifies the difficulties during installation.

Type	Code	Description	Gain	Viewing Angle	Thickness	4K UHD	3D Enhanced	High Contrast	Excellent Color Rendering	Washable	Ambient Light Rejection	Acoustic Transparent
Ambient Light Rejection Series	KGB	Ceiling Light Diffusion fabric	0.80	2a=180°	0.48 ±0.03mm	√		√	√	√	√	
	KGC	PVC Front Projection Silver Grey	0.80	2a=180°	0.32 ±0.02mm	√		√	√	√	√	
Elastic PVC Series	FWB	PVC Front Projection Matte White	1.05	2a=165°	0.32 ±0.02mm	√				√		
	FGG	PVC Front Projection Silver Grey	1.50	2a=120°	0.38 ±0.03mm	√	√	√	√	√	√	
Acoustic Transparent Series	BCC	Woven Acoustic Transparent Front Projection Matte White	1.00	2a=165°	0.62 ±0.02mm	√						√

46

Video Format:	Screen Size	Viewing Area(mm)		Border(mm)	Product Dimension(mm)	Packing Dimension(mm)	N.W(kg)	G.W(kg)
	(HxW, inches)	H	W	B1				
4:3	100"(60"x80")	1524	2032	10/10/10	2052*1544*37	2179*308*144	7.60	10.40
	120"(72"x96")	1829	2438	10/10/10	2458*1849*37	2585*308*144	9.40	12.60
	150"(90"x120")	2286	3048	10/10/10	3068*2306*37	3195*308*144	12.30	16.10
16:9	92"(45"x80")	1143	2032	10/10/10	2052*1163*37	2168*170*165	6.60	9.40
	120"(59"x105")	1500	2667	10/10/10	2687*1520*37	2803*170*165	9.30	13.10
	133"(65"x116")	1651	2946	10/10/10	2966*1677*37	3082*170*165	10.10	14.00
	158"(68"x120")	1727	3048	10/10/10	3068*1735*37	3184*170*165	10.50	14.40

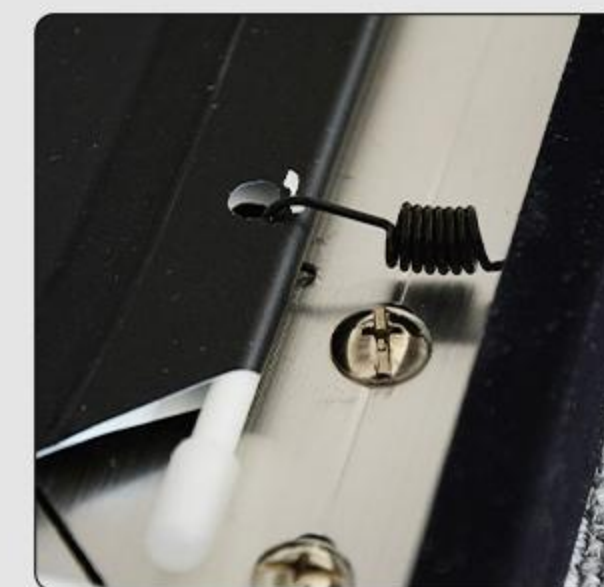
Fixed Frame Projector Screen



The aluminum alloy extruded frame with black velvet surround forms the image border; for an elegant, theatre-like appearance.



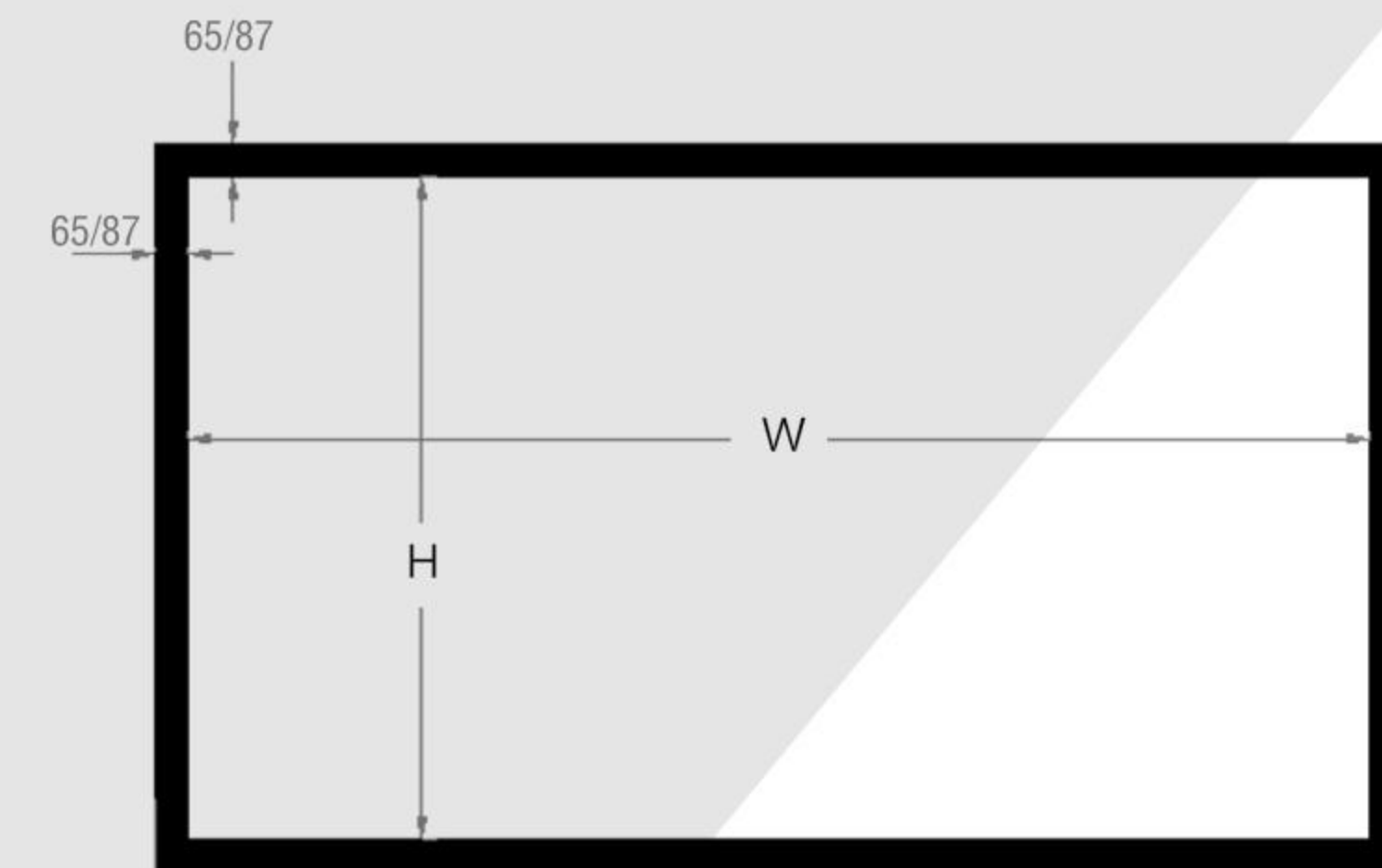
Aluminium-alloy frames are connected with insert-type corner brackets, which are made of steel



The new innovative wall mount bracket design makes un-skilled installation quick and easy. Your Cineplus screen can be installed and ready to use in minutes.



The spring mount system equalizes the tension on the fabric surface, providing the best uniformity and minimizing image distortion.



- Elegant appearance—aluminum frame with black velvet borders
- Rigid Structure—Insert type metallic corner bracket
- Better Flatness—Spring mount fabric
- Easy Installation—New type wall mount bracket
- 65mm frame border ≤ 150"
- 87mm frame border > 150"

Type	Code	Description	Gain	Viewing Angle	Thickness	4K UHD	3D Enhanced	High Contrast	Excellent Color Rendering	Washable	Ambient Light Rejection	Acoustic Transparent
Elastic PVC Series	FWB	PVC Front Projection Matte White	1.05	2a=165°	0.32 ±0.02mm	√				√		
	FGG	PVC Front Projection Silver Grey	1.50	2a=120°	0.38 ±0.03mm	√	√	√	√	√		
	FGB	PVC Front Projection Matte Grey	0.85	2a=165°	0.34 ±0.02mm	√		√	√	√		
Acoustic Transparent Series	BCC	Woven Acoustic Transparent Front Projection Matte White	1.00	2a=165°	0.62 ±0.02mm	√						√
	ATW	PVC Perforated Acoustic Transparent Front Projection Matte White	1.10	2a=165°	0.32 ±0.02mm	√				√		√

Video Format:	Screen Size	Viewing Area(mm)		Border(mm)	Product Dimension(mm)	Packing Dimension(mm)	N.W(kg)	G.W(kg)
	(HxW, inches)	H	W	B				
4:3	100"(60"x80")	1524	2032	65	2162*1654*36	2227*250*140	7.9	10.3
	120"(72"x96")	1829	2438	65	2568*1959*36	2633*250*140	9.6	12.5
16:9	100"(49"x87")	1245	2210	65	2340*1373*36	2405*250*140	7.5	10.0
	120"(59"x105")	1499	2667	87	2841*1673*36	2936*250*170	9.6	16.4
	150"(74"x131")	1880	3327	87	3501*2054*36	3596*250*170	12.3	20.5
16:10	102"(54"x87")	1372	2210	65	2340*1511*36	2405*250*140	7.9	10.4
	140"(74"x119")	1880	3023	87	3197*2054*36	3298*250*170	11.8	19.4

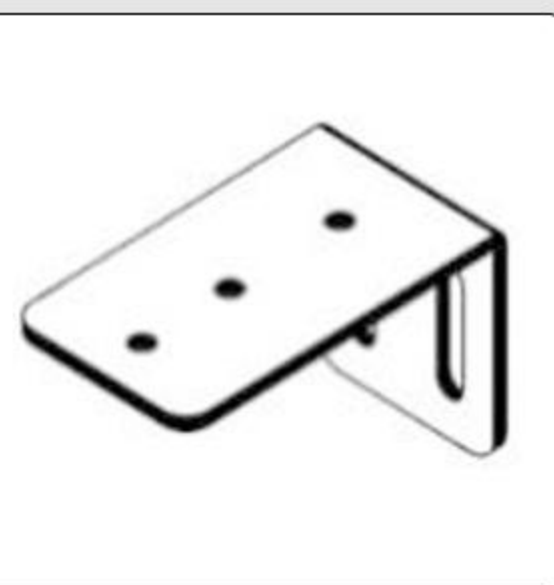
HomeMax Curve Fixed Frame Screen



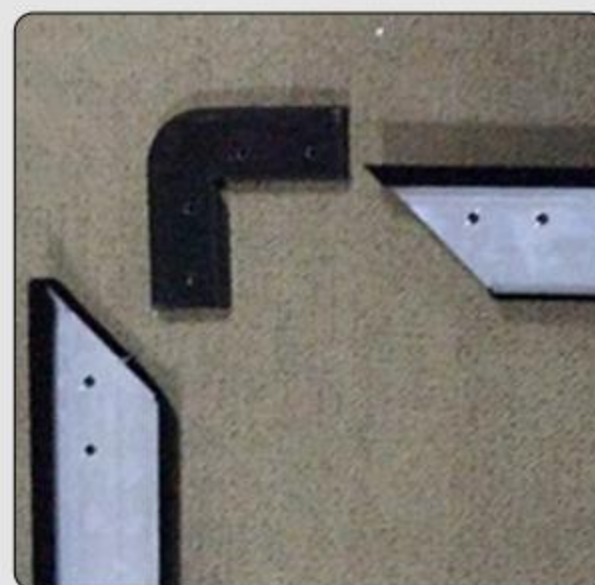
High gain and high contrast 3D fabric enhances projected images that can truly inspire and entertain audience.



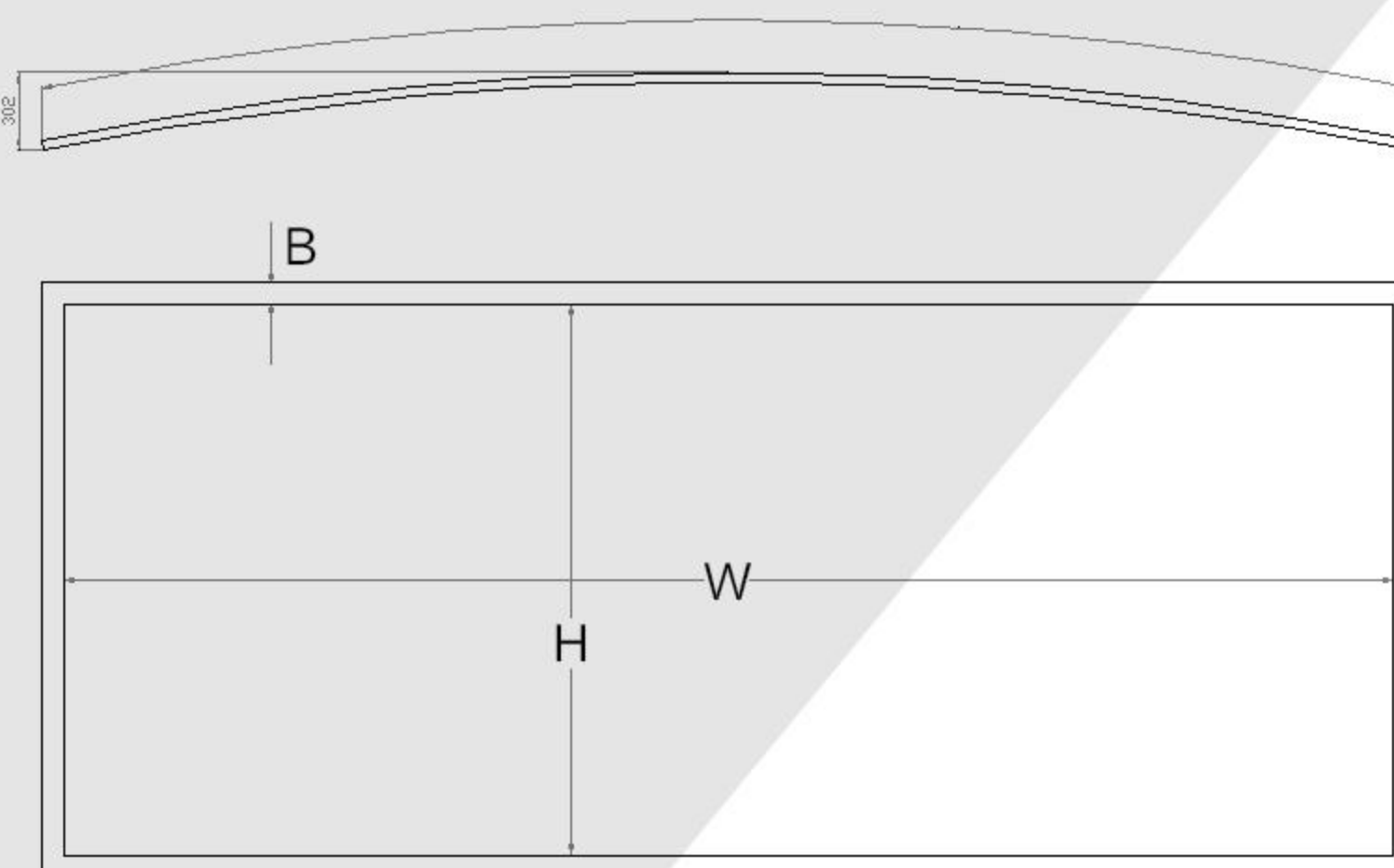
A curved screen allows the light to travel the same distance to any other point on the screen as it does to the center. This results in a "uniform" and "brighter" image that is free from distortion.



Complete set of installation mounts are including in accessory kit for easy and quick installation.



Insert type joint is applied to the entire frame, so the surface is perfectly flat.



- Most realistic image
- Best brightness and uniformity
- 3D enhanced projection sliver fabric
- Rigid structure
- Hassle-free installation

Type	Code	Description	Gain	Viewing Angle	Thickness	4K UHD	3D Enhanced	High Contrast	Excellent Color Rendering	Washable	Ambient Light Rejection	Acoustic Transparent
Elastic PVC Series	FWC	PVC Front Projection Matte White	1.05	2a=165°	0.32 ±0.02mm	√				√		
	FGG	PVC Front Projection Silver Grey	1.50	2a=120°	0.38 ±0.03mm	√	√	√	√	√		
Acoustic Transparent Series	BCC	Woven Acoustic Transparent Front Projection Matte White	1.00	2a=165°	0.62 ±0.02mm	√						√
	ATW	PVC Perforated Acoustic Transparent Front Projection Matte White	1.10	2a=165°	0.32 ±0.02mm	√				√		√

Video Format:	Screen Size	Viewing Area(mm)		Border(mm)	Product Dimension(mm)	Packing Dimension(mm)	N.W(kg)	G.W(kg)
	(HxW, inches)	H	W	B				
4:3	100"(60"x80")	1524	2032	87	2206*1698*3.7	2310*220*140	8.1	10.0
	180"(108"x144")	2743	3658	87	3832*2917*3.7	3980*220*140	15.3	18.0
16:9	100"(49"x87")	1247	2210	87	2384*1421*3.7	2490*220*140	10.5	12.0
	120"(59"x105")	1500	2667	87	2841*1674*3.7	2940*220*140	12.2	14.0
2.35:1	180"(88"x157")	2235	3988	87	4162*2409*3.7	4310*220*140	16.8	18.0
	120"(47"x111")	1194	2820	87	2994*1368*3.7	3090*220*140	12.3	14.0
	180"(70"x166")	1778	4216	87	4390*1952*3.7	4530*220*140	16.9	18.0

Neptune Pro-line SRC Manual Screen



51

- Gear box type slow return control gives the most consistent performance
- Precise self lock system for quick lock and release at any desired position
- Unique D shape white powder coated galvanized steel housing
- Plastic end caps with D rings and key holds for wall and ceiling installation
- Durable galvanized steel housing

Type	Code	Description	Gain	Viewing Angle	Thickness	4K UHD	3D Enhanced	High Contrast	Excellent Color Rendering	Washable	Ambient Light Rejection	Acoustic Transparent
Fiberglass Series	MWA	Fiberglass PVC laminated Front Projection Matte White	1.10	2a=165°	0.37 ±0.02mm	✓				✓		
Polyester Series	MWB	Polyester Woven PVC laminated Front Projection Matte White	1.00	2a=165°	0.42 ±0.03mm	✓				✓		
	MWL	Polyester Woven PVC laminated Front Projection Matte White	1.00	2a=165°	0.35 ±0.02mm					✓		
	MWK	Polyester Warp Knitting PVC laminated Front Projection Matte White	1.00	2a=150°	0.38 ±0.02mm					✓		



Special tooling for unique semicircular casing. Coated with white powder make it differentiates from other standard product in the market.



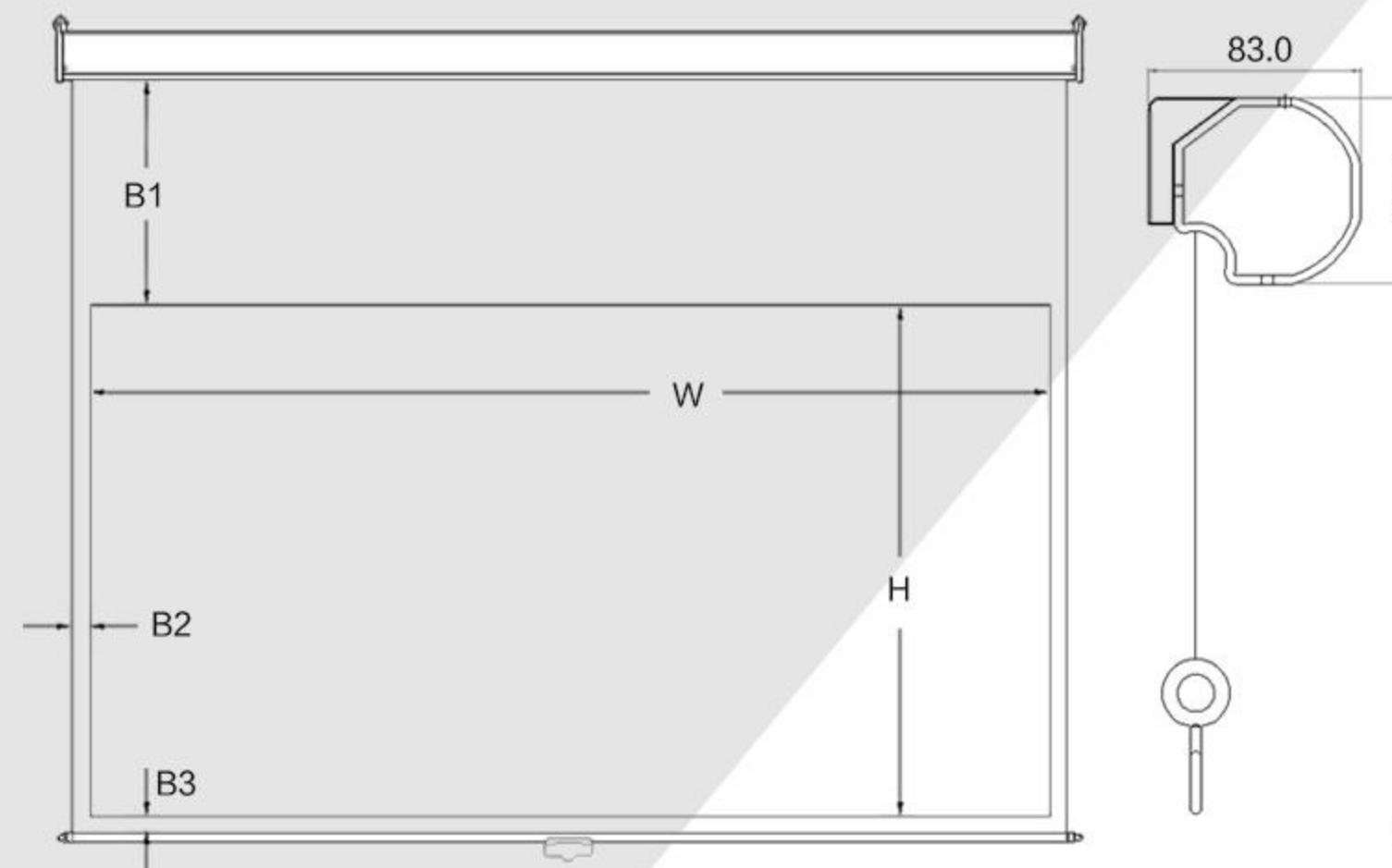
Intelligent self locking system allows quick lock and release at any desired position.



Galvanized steel casing with reinforced ribs, keeping the casing straight against the torque from the roller spring.



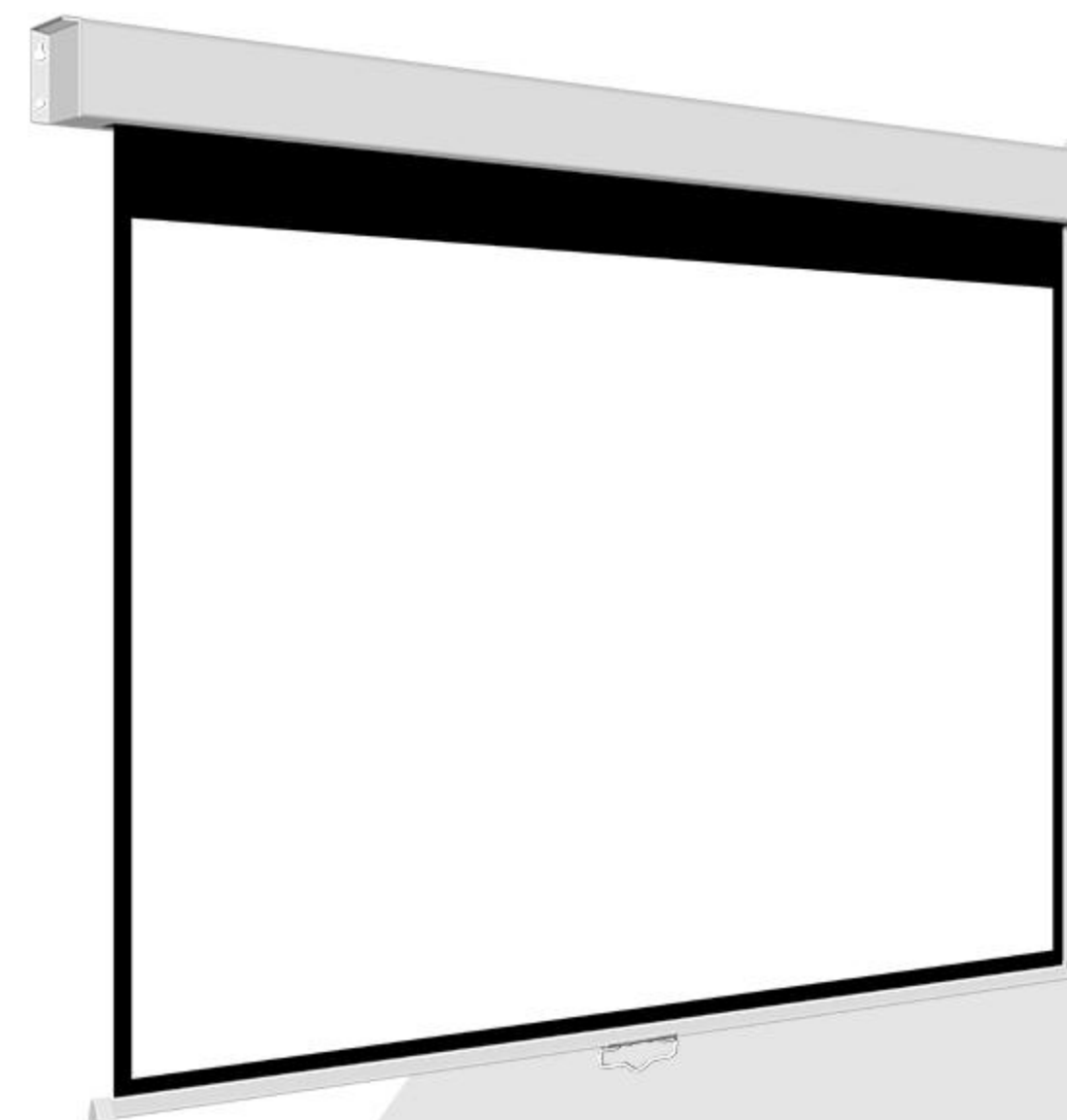
Reliable spring mechanism guarantees smooth rolling and retracting of screen fabric.



52

Video Format:	Screen Size	Viewing Area(mm)		Border(mm)	Product Dimension(mm)	Packing Dimension(mm)	N.W(kg)	G.W(kg)
	(HxW, inches)	H	W	B1/B2/B3				
1:1	84"(60"x60")	1524	1524	65/30/30	1653*82*93	1748*140*130	6.0	6.9
	100"(70"x70")	1778	1778	45/30/30	1907*82*93	2002*140*130	7.0	8.0
4:3	84"(50"x67")	1270	1702	45/30/30	1836*82*93	1931*140*130	6.3	7.3
	100"(60"x80")	1524	2032	65/40/40	2181*82*93	2276*140*130	7.6	8.7
	120"(72"x96")	1829	2438	65/40/40	2507*82*93	2602*140*130	8.9	10.2
16:9	92"(45"x80")	1143	2032	450/40/40	2181*82*93	2276*140*130	7.6	8.8
	110"(54"x96")	1372	2438	400/40/40	2507*82*93	2602*140*130	8.8	10.1

Manto Eco-line Manual Screen



57

- Self lock system for quick lock and release
- Powder coated white square steel case
- Triangular slat bar retracts into the housing for a clean finish
- Plastic end caps with holes for wall or ceiling installation

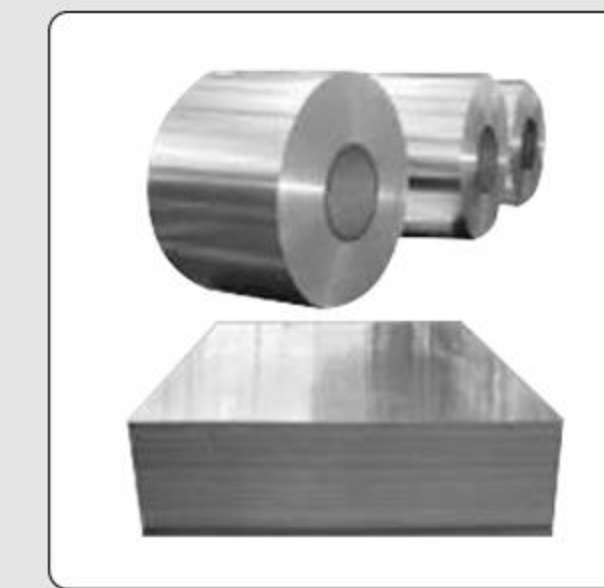
Type	Code	Description	Gain	Viewing Angle	Thickness	4K UHD	3D Enhanced	High Contrast	Excellent Color Rendering	Washable	Ambient Light Rejection	Acoustic Transparent
Fiberglass Series	MWA	Fiberglass PVC laminated Front Projection Matte White	1.10	2a=165°	0.37 ±0.02mm	✓				✓		
Polyester Series	MWB	Polyester Woven PVC laminated Front Projection Matte White	1.00	2a=165°	0.42 ±0.03mm	✓				✓		
	MWL	Polyester Woven PVC laminated Front Projection Matte White	1.00	2a=165°	0.35 ±0.02mm					✓		
	MWK	Polyester Warp Knitting PVC laminated Front Projection Matte White	1.00	2a=150°	0.38 ±0.02mm					✓		



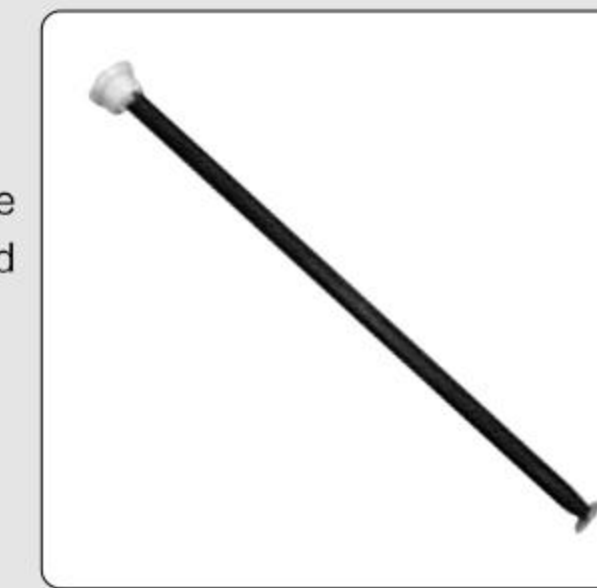
Screen supplied with 3 different mounting systems: wall mounting, ceiling mounting and front hanging.



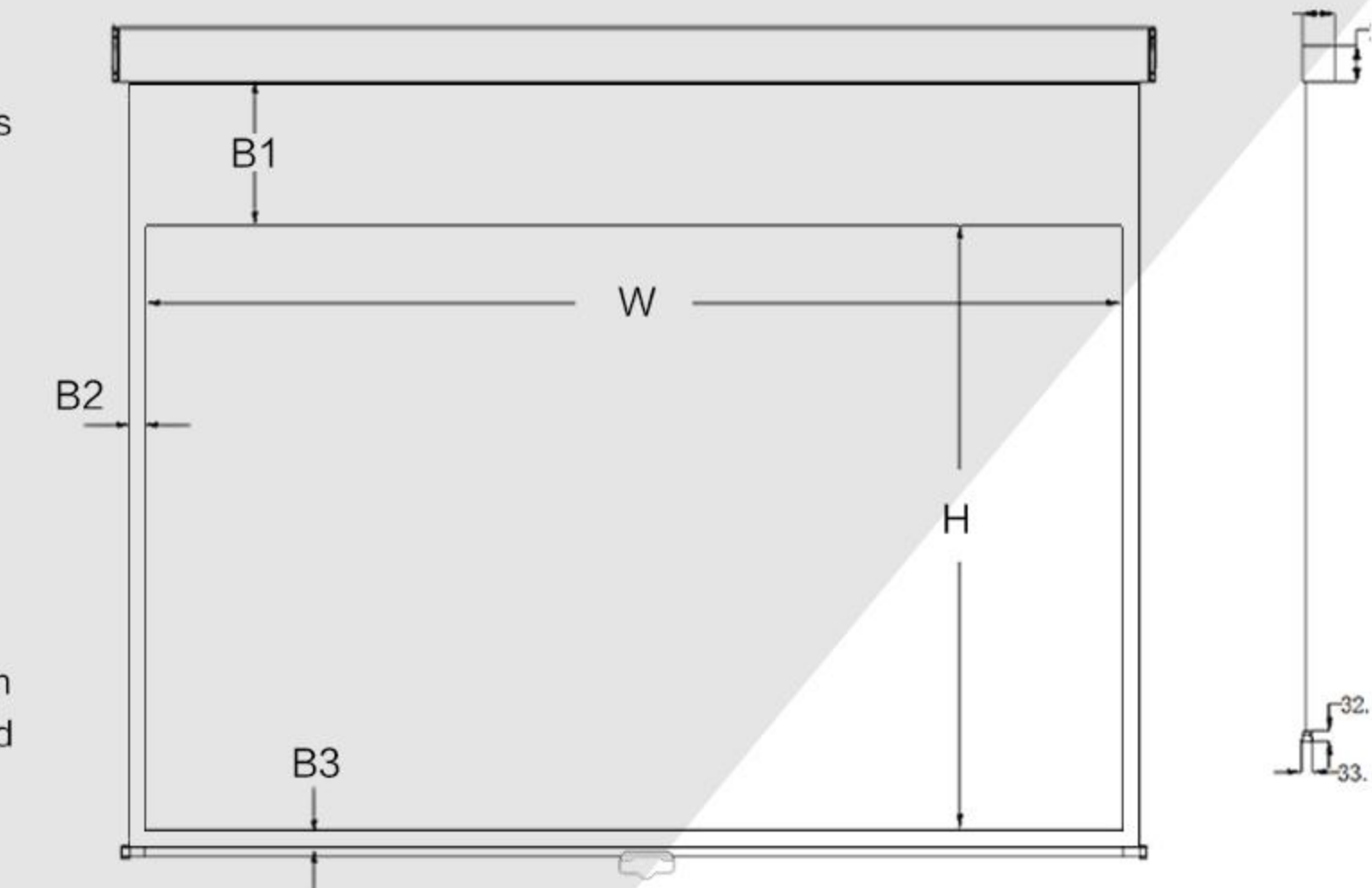
Double locking pieces allows quick lock and release.



Made of cool rolled steel, the housing is ultimate rigid and stand straight under any circumstances.



Reliable spring mechanism guarantees smooth rolling and retracting of screen fabric.

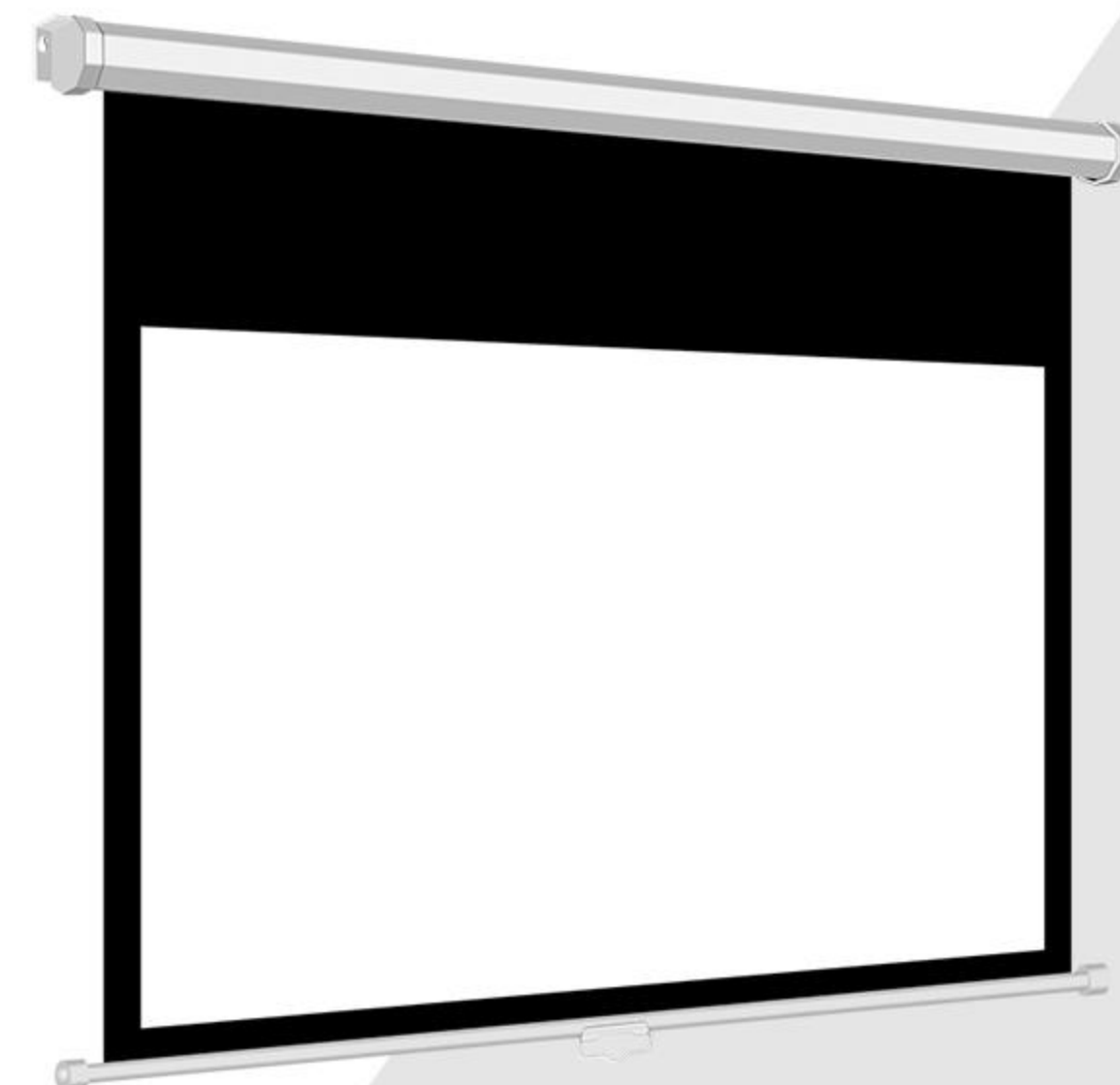


32.6
33.6

58

Video Format:	Screen Size	Viewing Area(mm)		Border(mm)	Product Dimension(mm)	Packing Dimension(mm)	N.W(kg)	G.W(kg)
	(HxW, inches)	H	W	B1/B2/B3				
1:1	85"(60"x60")	1524	1524	40/30/30	1684*67*75	1746*135*130	6.1	6.9
	100"(70"x70")	1778	1778	40/30/30	1938*67*75	2000*135*130	7.2	8.1
4:3	84"(50"x67")	1270	1702	40/30/30	1867*67*75	1929*135*130	6.5	7.4
	100"(60"x80")	1524	2032	40/40/40	2212*67*75	2274*135*130	7.8	8.9
	120"(72"x96")	1829	2438	40/40/40	2540*67*75	2602*135*130	9.2	10.5
16:9	92"(45"x80")	1143	2032	450/40/40	2212*67*75	2274*135*130	7.9	9.0
	110"(54"x96")	1372	2438	450/40/40	2540*67*75	2602*135*130	9.2	10.5

Juno Eco-line Manual Screen



- Self lock system for quick lock and release
- Powder coated white octagonal steel case
- Plastic end caps with holes for wall or ceiling installation

Type	Code	Description	Gain	Viewing Angle	Thickness	4K UHD	3D Enhanced	High Contrast	Excellent Color Rendering	Washable	Ambient Light Rejection	Acoustic Transparent
Fiberglass Series	MWA	Fiberglass PVC laminated Front Projection Matte White	1.10	2a=165°	0.37 ±0.02mm	✓				✓		
Polyester Series	MWB	Polyester Woven PVC laminated Front Projection Matte White	1.00	2a=165°	0.42 ±0.03mm	✓				✓		
	MWL	Polyester Woven PVC laminated Front Projection Matte White	1.00	2a=165°	0.35 ±0.02mm					✓		
	MWK	Polyester Warp Knitting PVC laminated Front Projection Matte White	1.00	2a=150°	0.38 ±0.02mm					✓		



Screen supplied with 3 different mounting systems: wall mounting, ceiling mounting and front hanging.



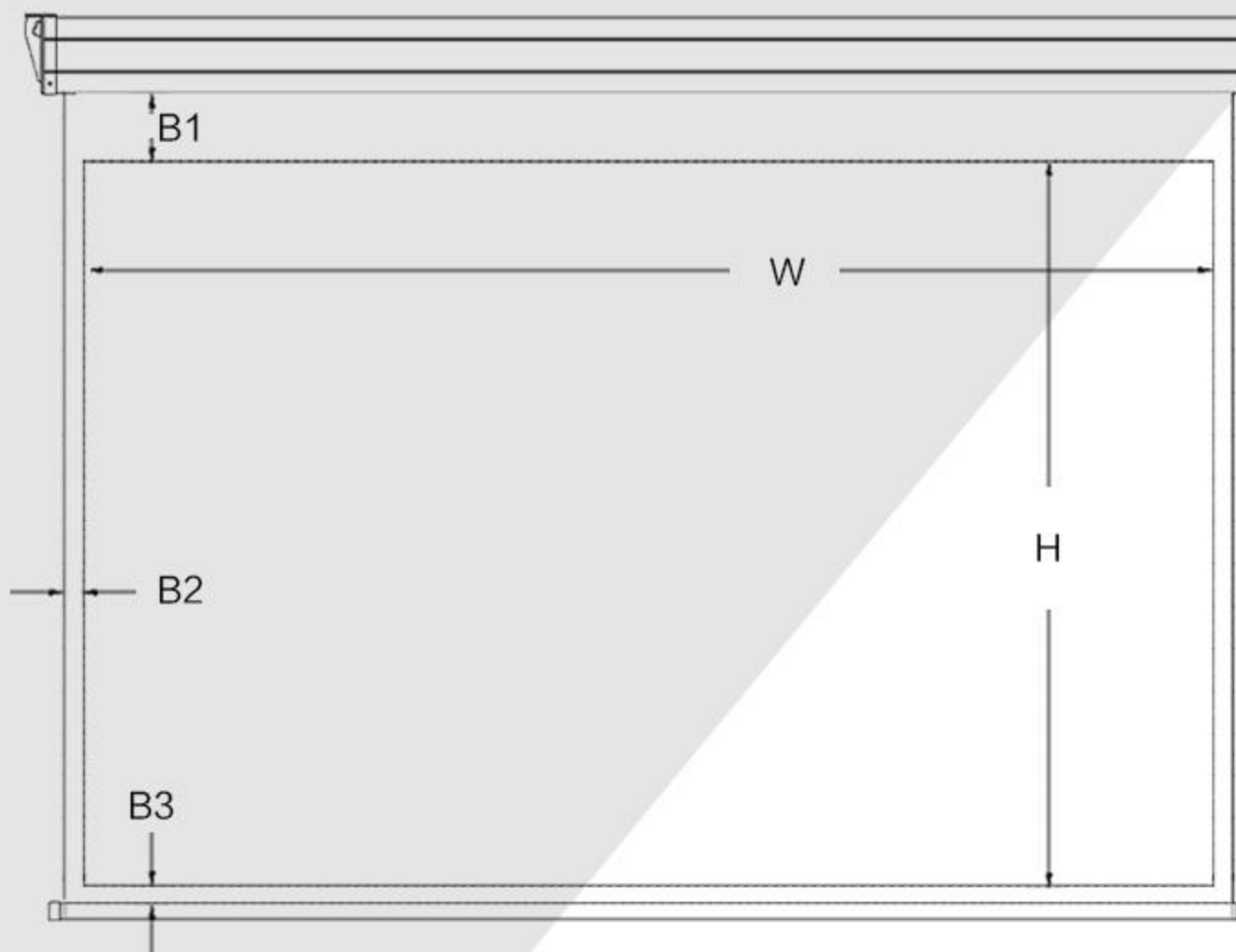
Double locking pieces allows quick lock and release.



Its sturdy and durable construction makes it an ideal manual projection screen for classroom.

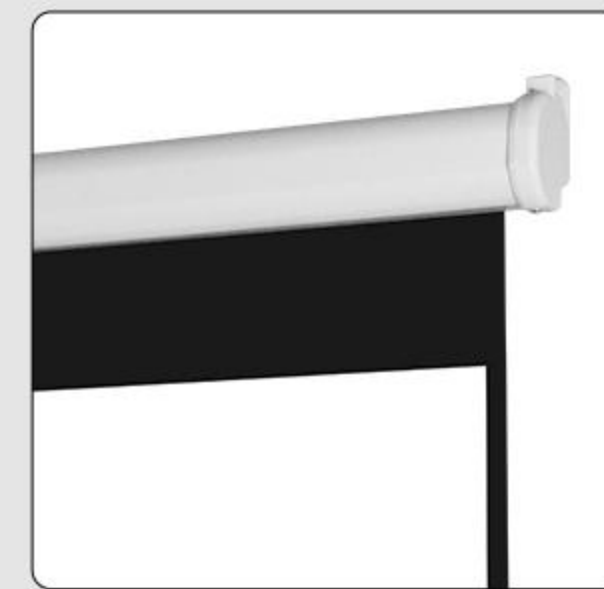


Reliable spring mechanism guarantees smooth rolling and retracting of screen fabric.



Video Format:	Screen Size	Viewing Area(mm)		Border(mm)	Product Dimension(mm)	Packing Dimension(mm)	N.W(kg)	G.W(kg)
	(HxW, inches)	H	W	B1/B2/B3				
1:1	85"(60"x60")	1524	1524	40/30/30	1697*63*63	1775*125*125	4.4	5.2
	100"(70"x70")	1778	1778	40/30/30	1951*63*63	2029*125*125	5.2	6.1
4:3	84"(50"x67")	1270	1702	40/30/30	1880*63*63	1958*125*125	4.7	5.6
	100"(60"x80")	1524	2032	40/40/40	2227*63*63	2305*125*125	5.7	6.7
	120"(72"x96")	1829	2438	40/40/40	2552*71*71	2630*140*125	7.5	8.8
16:9	92"(45"x80")	1143	2032	450/40/40	2205*63*63	2283*125*125	5.6	6.7
	110"(54"x96")	1372	2438	450/40/40	2552*71*71	2630*140*125	7.5	8.8

Neptune Pro-line Manual Screen



Special tooling for unique Semi circular casing. Coated with white powder make it differentiates from other standard product in the market.



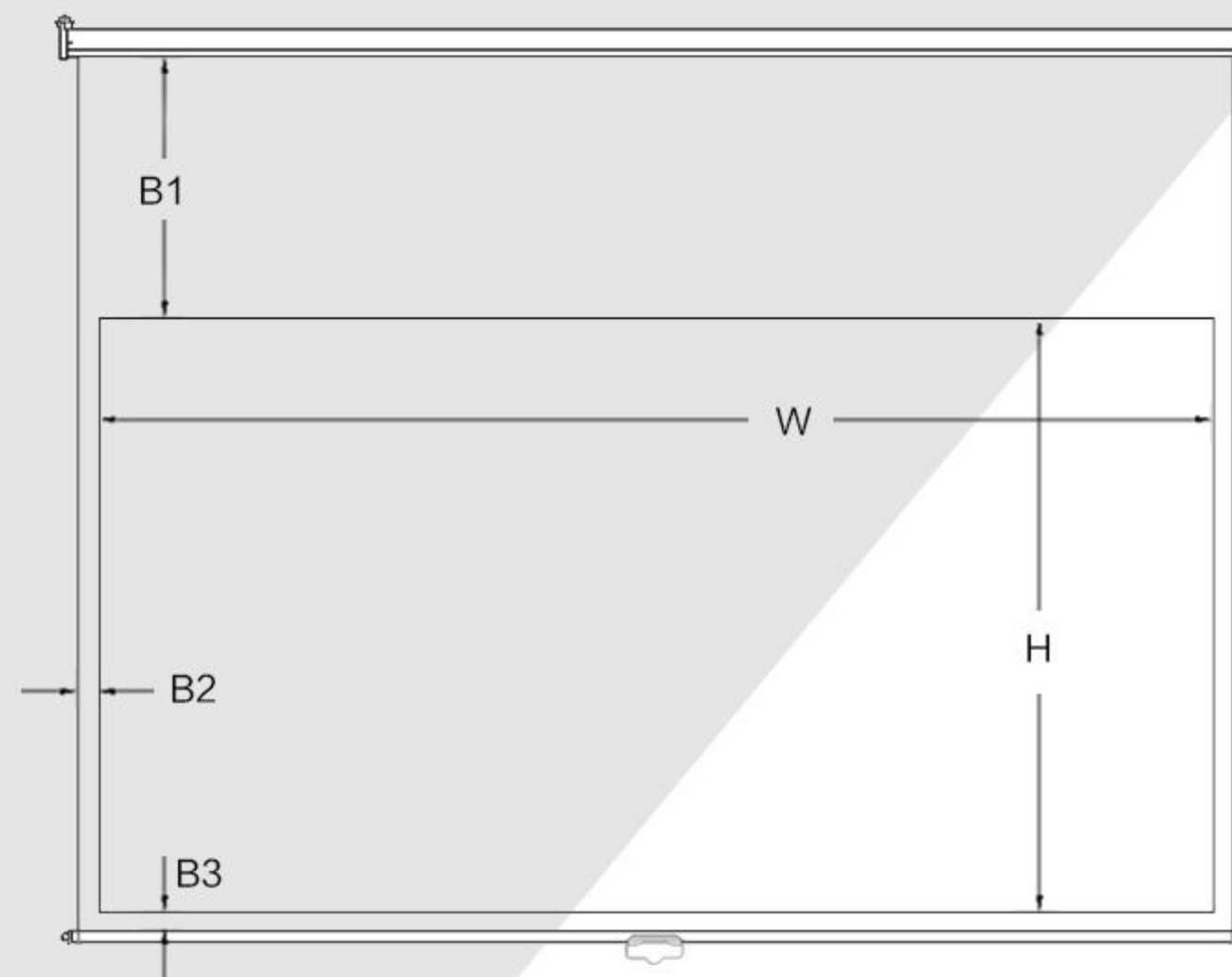
Galvanized steel casing with reinforced ribs, keeping the casing straight against the torque from the roller spring.



Intelligent self locking system allows quick lock and release at any desired position.



Reliable spring mechanism guarantees smooth rolling and retracting of screen fabric.

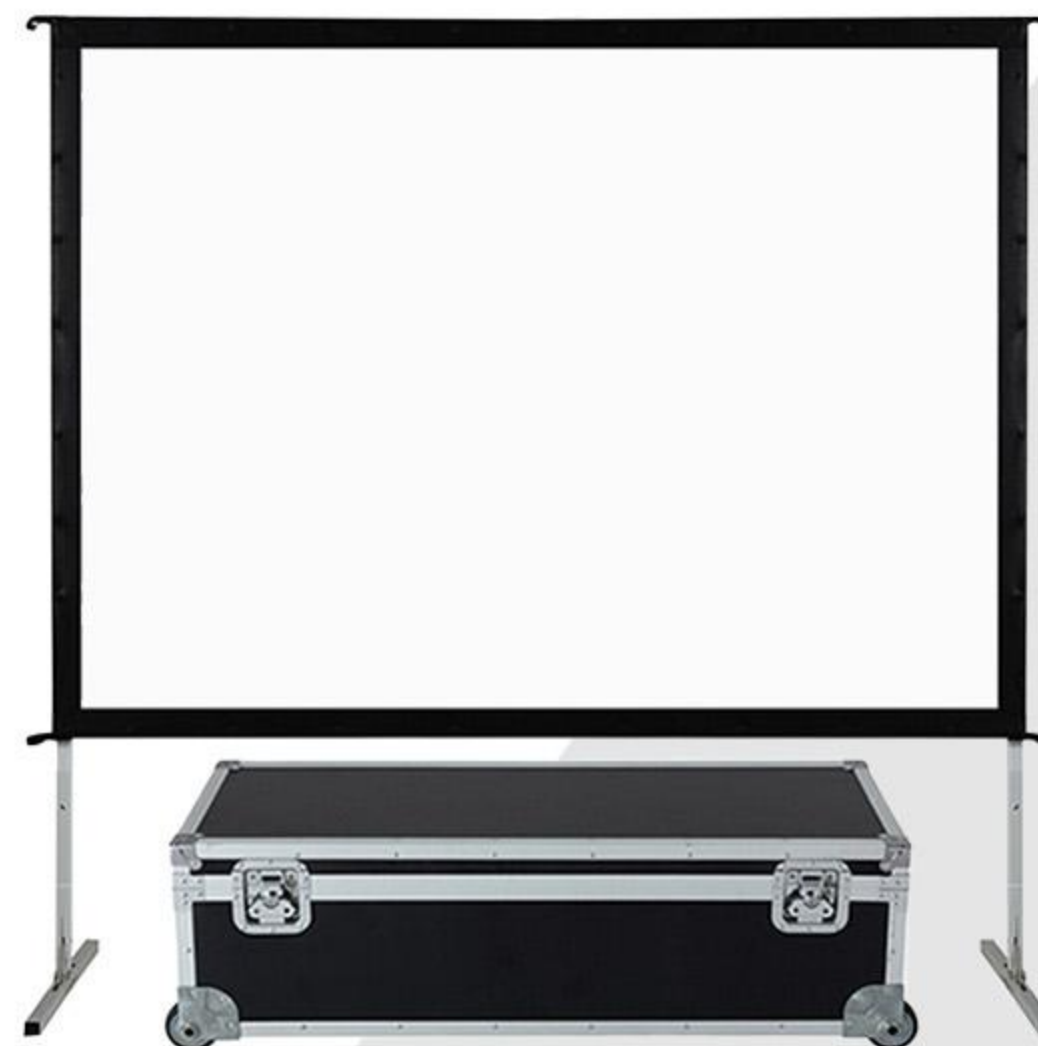


- Precise self lock system for quick lock and release at any desire position
- Unique D shape white powder coated galvanized steel housing
- Plastic end caps with D rings and key holds for wall and ceiling installation
- Durable galvanized steel housing

Type	Code	Description	Gain	Viewing Angle	Thickness	4K UHD	3D Enhanced	High Contrast	Excellent Color Rendering	Washable	Ambient Light Rejection	Acoustic Transparent
Polyester Series	MWB	Polyester Woven PVC laminated Front Projection Matte White	1.00	2a=165°	0.32 ±0.02mm	✓				✓		
	MWK	Polyester Warp Knitting PVC laminated Front Projection Matte White	1.00	2a=165°	0.32 ±0.03mm					✓		
	MWL	Polyester Woven PVC laminated Front Projection Matte White	1.00	2a=165°	0.34 ±0.02mm					✓		

Video Format:	Screen Size	Viewing Area(mm)		Border(mm)	Product Dimension(mm)	Packing Dimension(mm)	N.W(kg)	G.W(kg)
	(HxW, inches)	H	W	B1/B2/B3				
4:3	100"(60"x80")	1524	2032	65/40/40	2181*82*93	2276*140*130	7.6	8.7
	120"(72"x96")	1769	2358	65/40/40	2507*82*93	2602*140*130	8.9	10.2
	150"(90"x120")	2286	3048	100/60/60	3262*89*110	3379*175*155	14.3	16.4
16:9	92"(45"x80")	1143	2032	450/40/40	2181*82*93	2276*140*130	7.6	8.8
	120"(59"x105")	1500	2667	450/40/40	2816*82*93	2911*140*130	10.0	11.5
	130"(64"x113")	1614	2870	450/40/40	3019*82*93	3114*140*130	10.9	12.4
	138"(68"x120")	1715	3048	450/60/60	3248*89*110	3343*178*158	13.9	15.9

Easy Fold Portable Screen



Sturdy frame design with folding hinges. It can be easily erected without the need for tools.



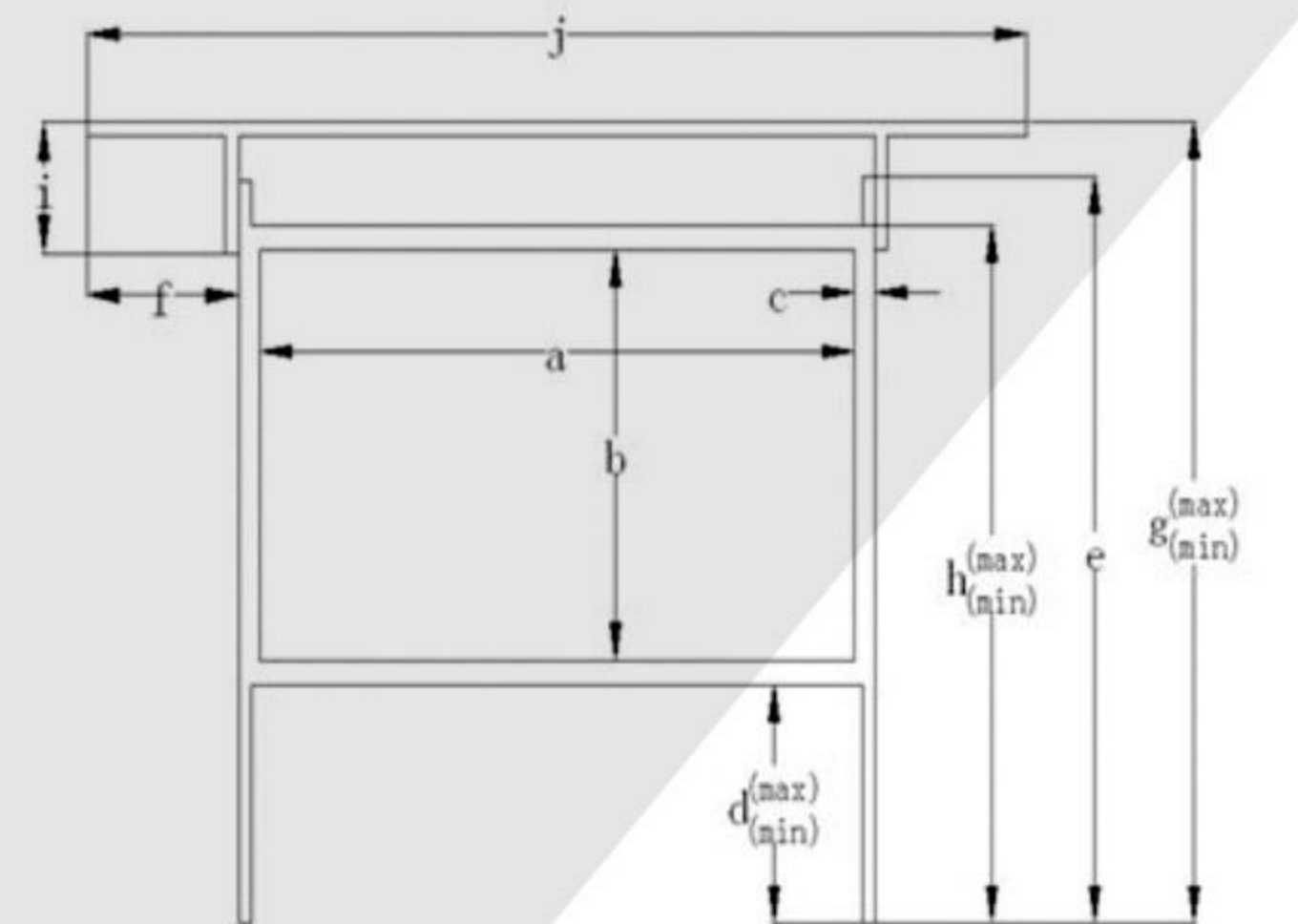
All the frames, legs and fabrics can be packed into freight case for easy transportation and storage.



The height of the frame can be adjusted to give the optimum projection height by simply adjusting the button.



Optional drape kit can be used to mask the bottom as well as the surroundings of the viewing area of the screen.

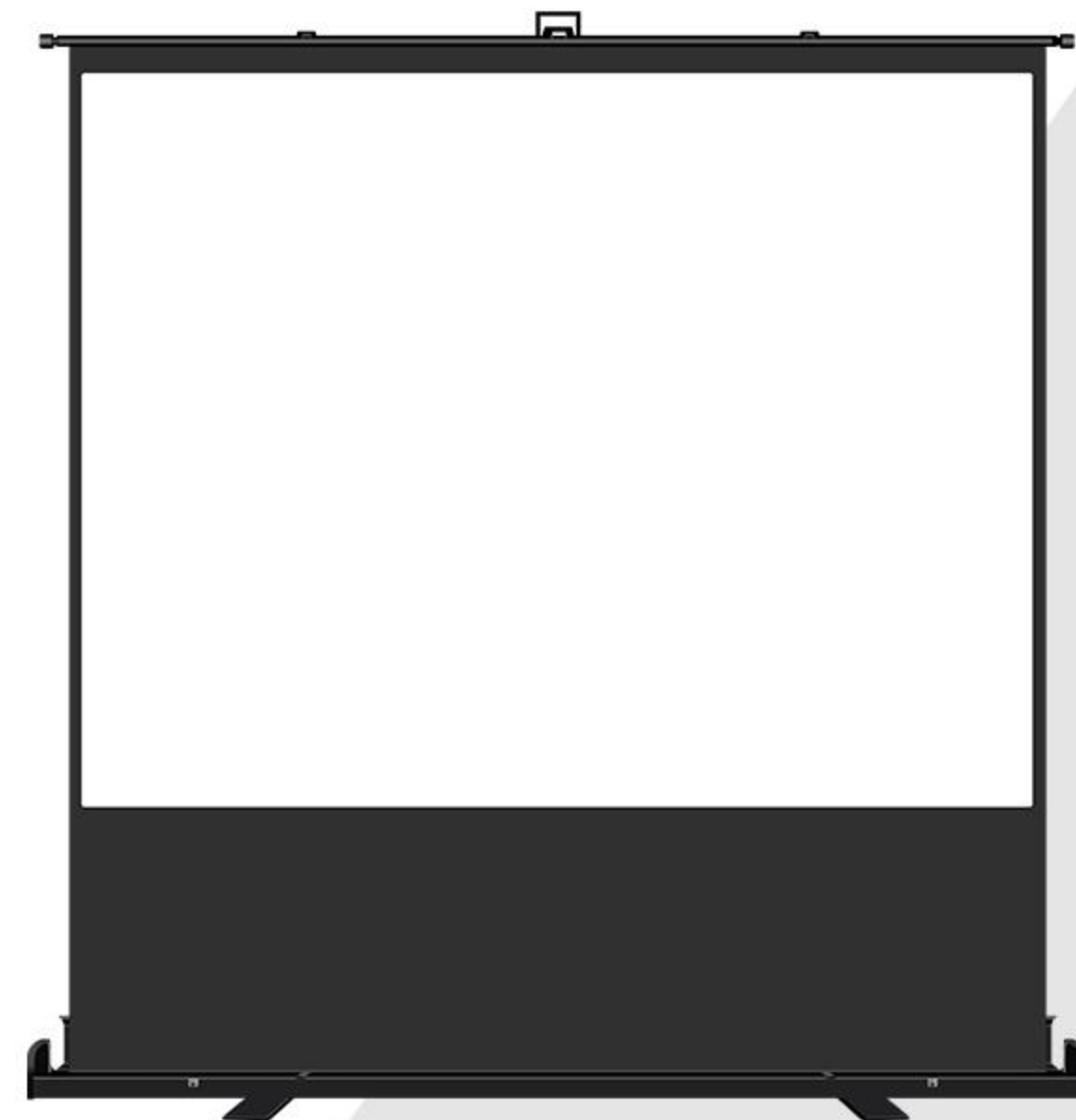


- Set up in minutes
- Distortion rate of frame <1%
- Drape kit available upon request
- Extra leg support for screen size 150" & up
- Both front and rear projection fabrics available
- Easy locking joints, quick release mechanism
- Screen size up to 300" diagonal or above with seams
- Come with rigid flight case, ideal for transportation and storage

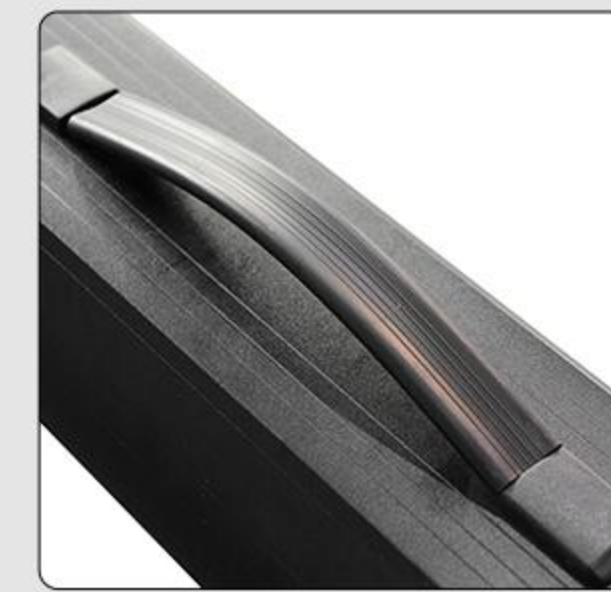
Type	Code	Description	Gain	Viewing Angle	Thickness	4K UHD	3D Enhanced	High Contrast	Excellent Color Rendering	Washable	Ambient Light Rejection	Acoustic Transparent
Rear Projection Screen	RGG	PVC Rear Projection Grey	1.50	2a=165°	0.32 ±0.03mm	✓		✓	✓	✓		
Elastic PVC Series	FWC	PVC Front Projection Matte White	1.05	2a=165°	0.32 ±0.02mm	✓				✓		
	FGG	PVC Front Projection Silver Grey	1.50	2a=120°	0.38 ±0.03mm	✓	✓	✓	✓	✓		
	FGB	PVC Front Projection Matte Grey	0.85	2a=165°	0.34 ±0.02mm	✓		✓	✓	✓		

Video Format:	Screen Size	Viewing Area(mm)		Border(mm)	Floor Distance (d)		Overall Height (g)		Draper Height (max) (mm)	Overall Width (j) (mm)	Packing Dimension(mm)	G.W(kg)
	(HxW, inches)	b	a	c	Max Height	Min Height	Max Height	Min Height				
4:3	100"(60"x80")	1524	2032	80	281	141	2235	2095	1691	4056	1000*380*365	28.0
	200"(120"x160")	3048	4064	100	327	177	3845	3695	3161	6128	1260*380*565	51.0
	300"(180"x240")	4572	6096	100	1368	168	6410	5210	6000	8160	1620*445*395/1770*565*695	53.8/75.9
16:9	92"(45"x80")	1143	2032	80	330	184	1903	1753	1509	4056	1000*385*475	32.0
	138"(68"x120")	1727	3048	100	391	241	2588	2438	2109	5112	1260*380*625	49.0
	184"(90"x160")	2286	4064	100	871	271	3621	3021	3161	6128	1260*380*685	58.0
	275"(135"x240")	3429	6096	100	677	277	4567	4126	4062	8160	1620*445*395/1620*445*650	50.0/84.0

Scissor Floor Rising Portable Screen



- 32mm roller enhance overall flatness
- Dual point support scissor offers ultimate stability
- Scissor mechanism for a quick and smooth set-up
- Lightweight aluminum casing construction is easy to carry and handle



This compact and light weight portable scissor screen is easy to carry, set up and unwind. Its casing integrate carrying handle which makes your screen a product of utmost flexibility.



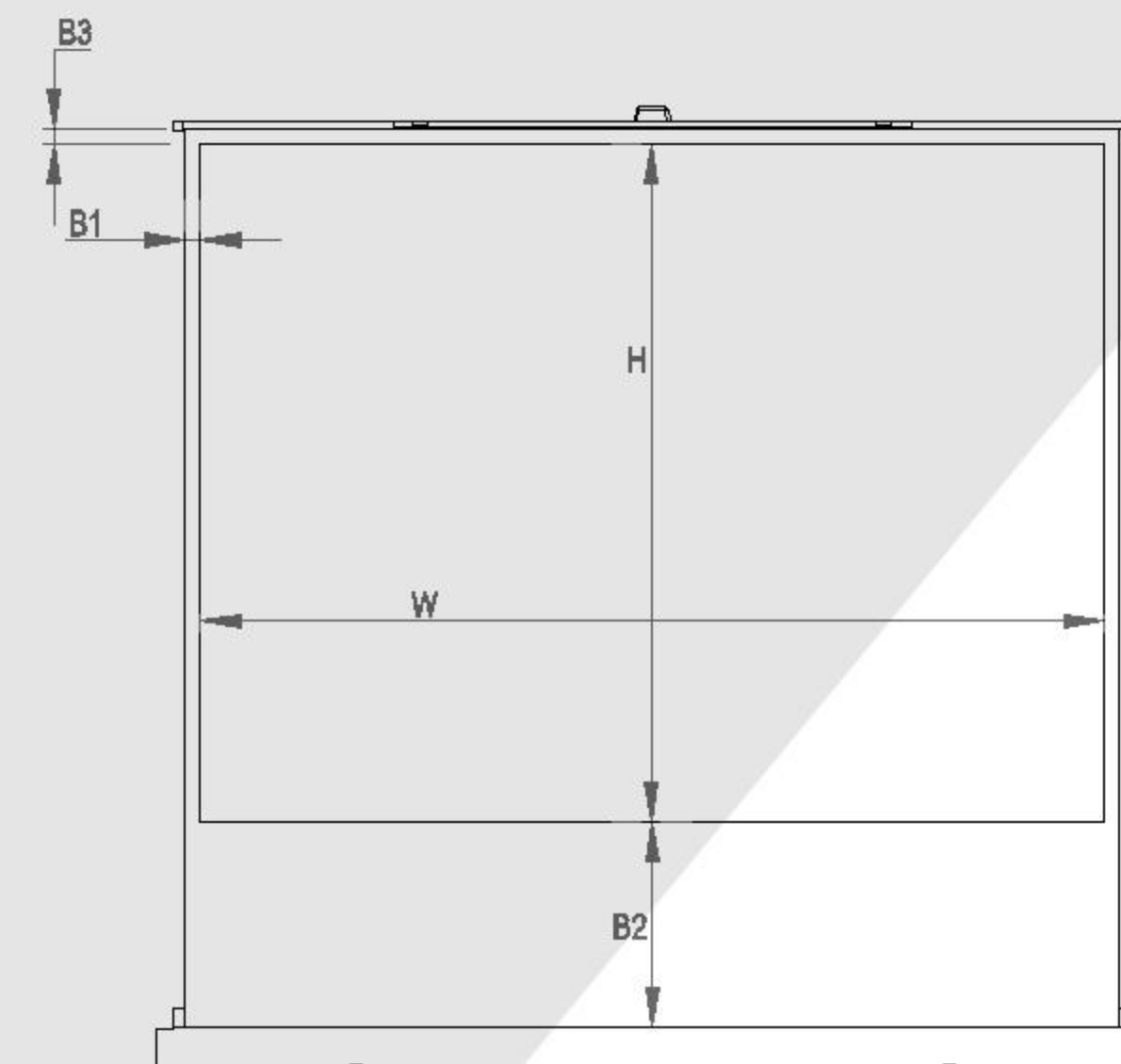
Put it on the floor, open the case and lift with one finger to desired height. Its pneumatic tensioning system brings the screen erect quickly and without effort. The height can also be easily adjusted to



Dual point support scissor structure with strong rotatable foot offer ultimate support and stability.



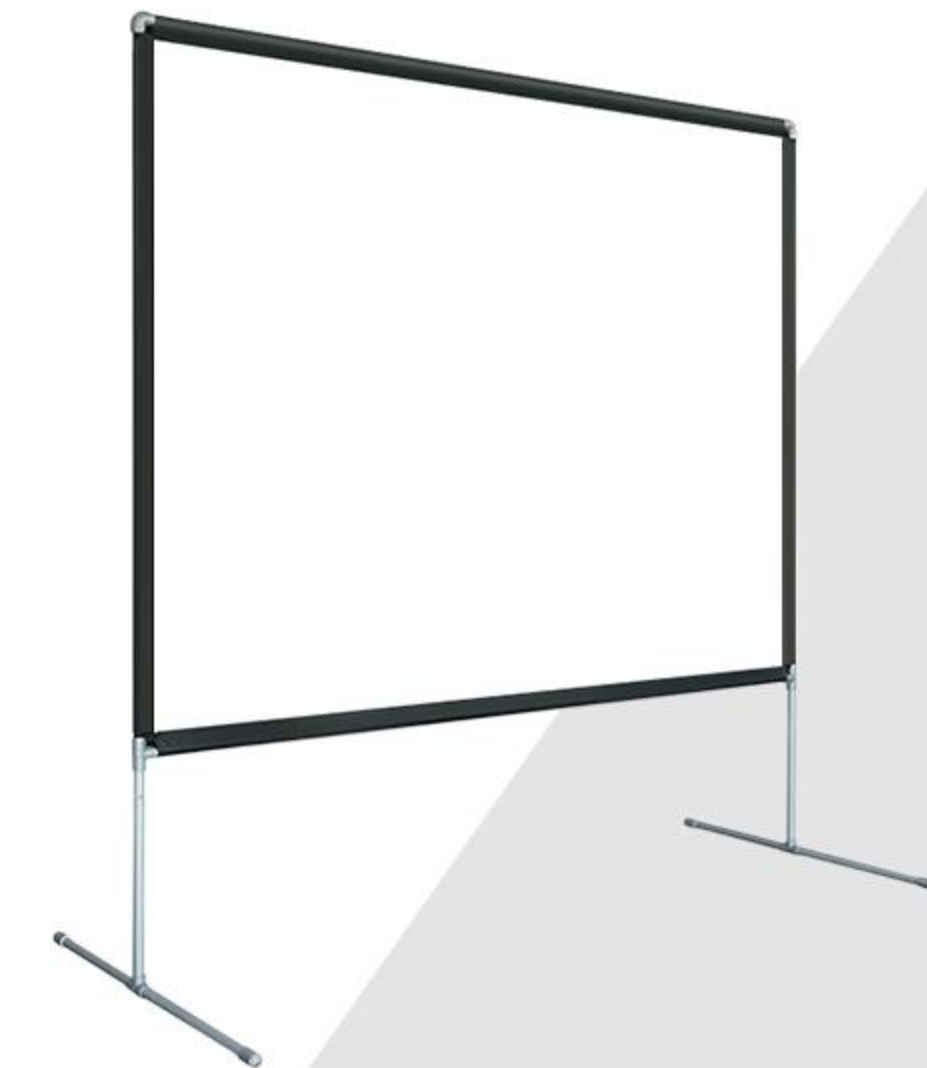
It gives superior flat screen surface because of its large 32mm roller and end up provide unrivalled picture quality.



Type	Code	Description	Gain	Viewing Angle	Thickness	4K UHD	3D Enhanced	High Contrast	Excellent Color Rendering	Washable	Ambient Light Rejection	Acoustic Transparent
Polyester Series	MWB	Polyester Woven PVC laminated Front Projection Matte White	1.00	2a=165°	0.32 ±0.02mm	✓				✓		
	MWK	Polyester Warp Knitting PVC laminated Front Projection Matte White	1.00	2a=165°	0.32 ±0.03mm					✓		
	MWL	Polyester Woven PVC laminated Front Projection Matte White	1.00	2a=165°	0.34 ±0.02mm					✓		

Video Format:	Screen Size	Viewing Area(mm)		Border(mm)	Product Dimension(mm)	Packing Dimension(mm)	N.W(kg)	G.W(kg)
	(HxW, inches)	H	W	B1/B2/B3				
4:3	80"(48"x64")	1219	1626	30/741/30	1805*125*100	1881*165*148	11.4	12.4
	100"(60"x80")	1524	2032	30/781/40	2231*125*100	2307*165*148	14.2	15.6
16:9	60"(29"x52")	737	1321	30/1217/30	1500*125*100	1584*165*148	9.2	10.1
	80"(40"x70")	770	1778	30/960/30	1949*125*100	2025*165*148	12.4	13.6
	92"(45"x80")	1016	2032	30/1162/40	2231*125*100	2307*165*148	14.2	15.6
16:10	72"(38"x61")	965	1549	30/995/30	1728*125*100	1804*165*148	10.8	11.9
	100"(53"x85")	1346	2159	30/781/40	2358*125*100	2434*165*148	15.1	16.5

Backyard Outdoor Theater Screen



With simple design, the screen is extremely easy to set up. You can create your own portable movie theatre in minutes wherever you need it and disassemble it quickly.



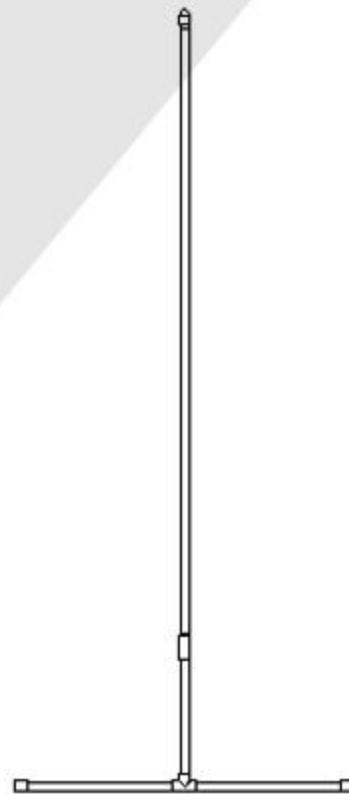
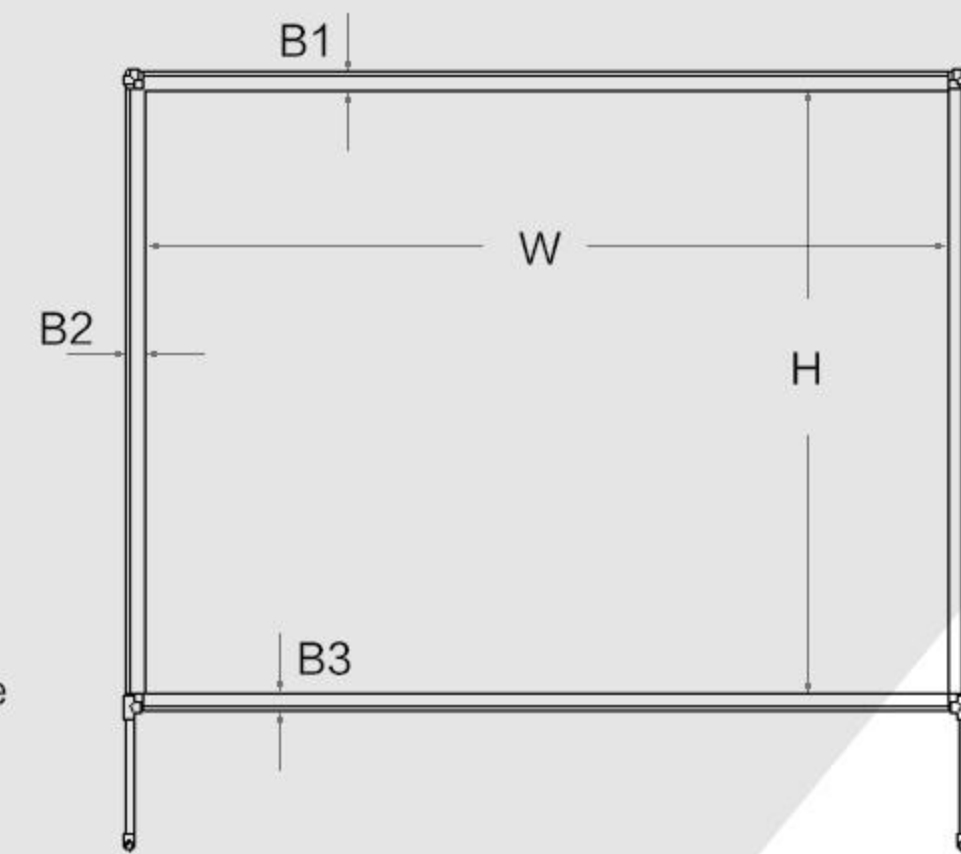
The lightweight screen kit comes with a portable carrying bag for easy storage as well as transportation.



The screen can withstand light rain as it is made of waterproof polyester fabric, aluminum and plastic.



The screen is inexpensive & affordable. You can enjoy ultimate theatre-like movie watching experience at a very low cost.



- Excellent for birthday parties, graduation parties and family reunions
- Lightweight & convenient to carry around with the provided carrying bag
- Easy to set up and take down; guy ropes are provided for extra safety
- Budget Friendliness
- 4:3 and 16:9 are available, maximum size up to 120" diagonal

Type	Code	Description	Gain	Viewing Angle	Thickness	4K UHD	3D Enhanced	High Contrast	Excellent Color Rendering	Washable	Ambient Light Rejection	Acoustic Transparent
Elastic PVC Series	FWC	PVC Front Projection Matte White	1.05	2a=165°	0.32 ±0.02mm	√				√		
	FGG	PVC Front Projection Silver Grey	1.50	2a=120°	0.38 ±0.03mm	√	√	√	√	√		
	FGB	PVC Front Projection Matte Grey	0.85	2a=165°	0.34 ±0.02mm	√		√	√	√		
Acoustic Transparent Series	ATW	PVC Perforated Acoustic Transparent Front Projection Matte White	1.10	2a=165°	0.32 ±0.02mm	√				√		√

Video Format:	Screen Size	Viewing Area(mm)		Border(mm)	Floor Clearance	Packing Dimension(mm)	N.W(kg)	G.W(kg)
	(HxW, inches)	H	W	B1/B2/B3				
4:3	100"(60"x80")	1524	2032	55/55/55	420	1095*440*140	4.9	5.8
	120"(72"x96")	1829	2438	55/55/55	420	1095*440*140	6.2	7.1
16:9	92"(45"x80")	1143	2032	55/55/55	420	1095*440*140	4.3	5.2
	110"(54"x96")	1372	2438	55/55/55	420	1095*440*140	5.4	6.3

Vesta Portable Tripod Screen



- Extension pole allows fast and easy set up
- Special designed round shape housing
- Lightweight tripod stand
- Keystone eliminator
- Carrying bag available (Optional)



Type	Code	Description	Gain	Viewing Angle	Thickness	4K UHD	3D Enhanced	High Contrast	Excellent Color Rendering	Washable	Ambient Light Rejection	Acoustic Transparent
Polyester Series	MWB	Polyester Woven PVC laminated Front Projection Matte White	1.00	2a=165°	0.32 ±0.02mm	✓				✓		
	MWK	Polyester Warp Knitting PVC laminated Front Projection Matte White	1.00	2a=165°	0.32 ±0.03mm					✓		
	MWL	Polyester Woven PVC laminated Front Projection Matte White	1.00	2a=165°	0.34 ±0.02mm					✓		



Provide Keystone eliminator, allows multimedia projectors that are not placed perpendicular to the horizontal centerline of the screen (too high or too low) to skew the output image, thereby making it rectangular.



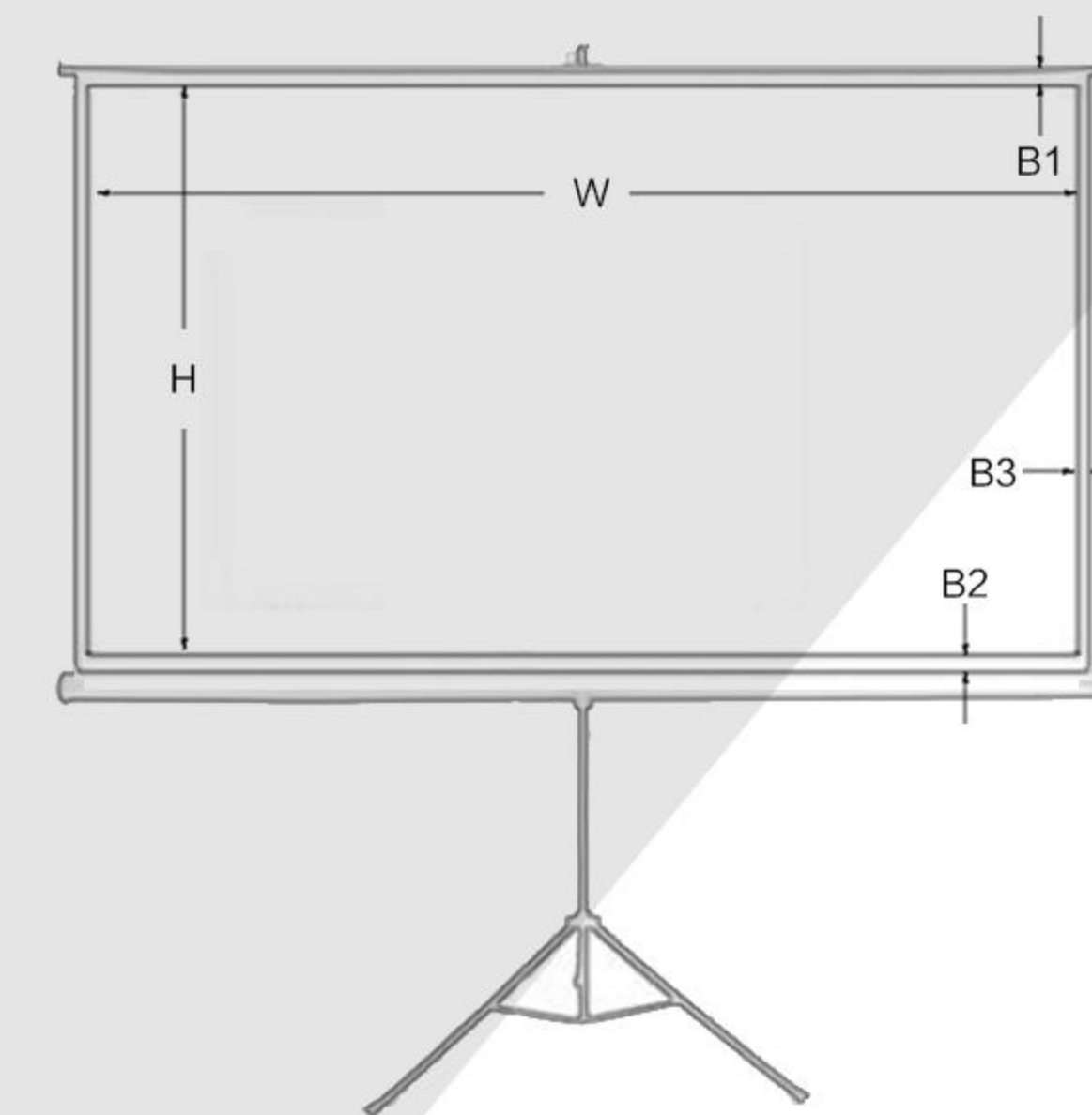
Perfectly symmetrical tripod for great stability and is designed for intensive use.



Self lock handle for optimum height adjustment and portability.

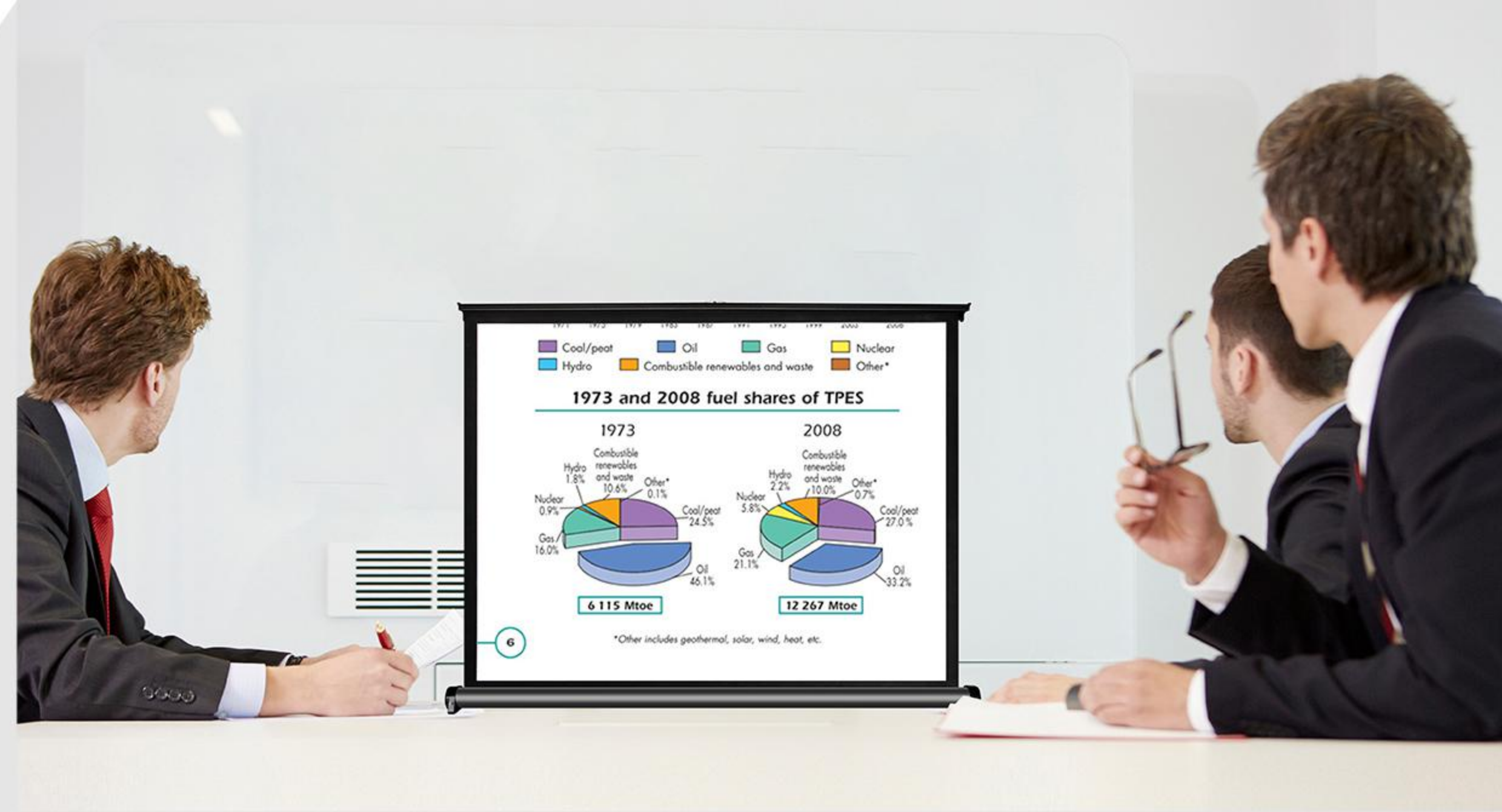


Quick and easy to set up and release.

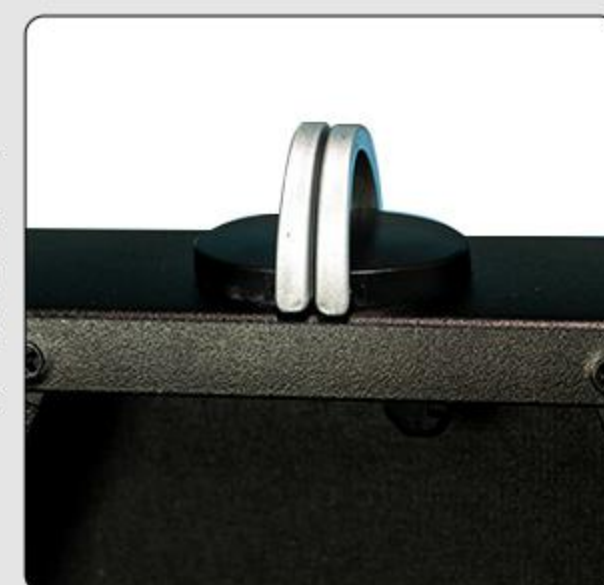


Video Format:	Screen Size	Viewing Area(mm)		Border(mm)	Product Dimension(mm)	Packing Dimension(mm)	N.W(kg)	G.W(kg)
	(HxW, inches)	H	W	B1/B2/B3				
1:1	85"(60"x60")	1524	1524	30/50/30	1663*150*75	1735*175*130	7.1	8.1
	100"(70"x70")	1778	1778	30/50/30	1917*150*75	1990*175*130	8.0	9.1
4:3	84"(50"x67")	1270	1702	30/50/30	1846*150*75	1915*175*130	7.4	8.5
	100"(60"x80")	1524	2032	40/50/40	2171*150*75	2238*175*130	8.5	9.8
	120"(72"x96")	1829	2438	40/50/40	2521*150*75	2590*175*130	9.7	11.2
16:9	92"(45"x80")	1143	2032	40/400/40	2171*150*75	2238*175*130	8.4	9.7
	110"(54"x96")	1372	2438	40/400/40	2521*150*75	2590*175*130	9.6	11.1

Deskview MKII Presentation Screen



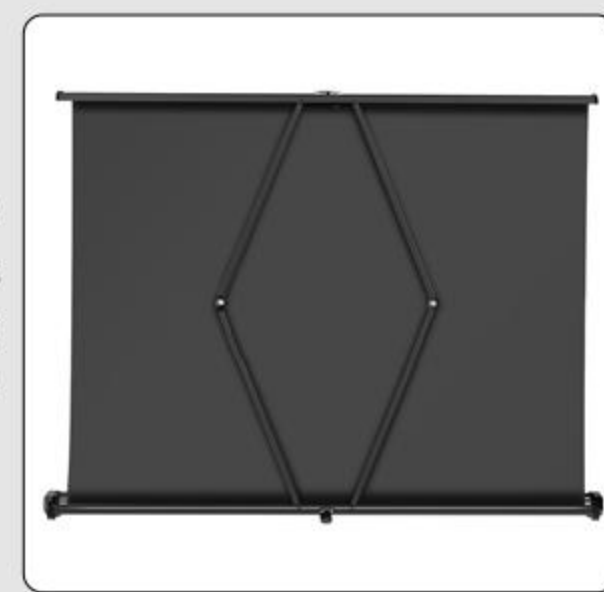
This portable screen is your perfect travel companion. The compact and lightweight design with a carrying handle attached makes transport and storage easier than ever.



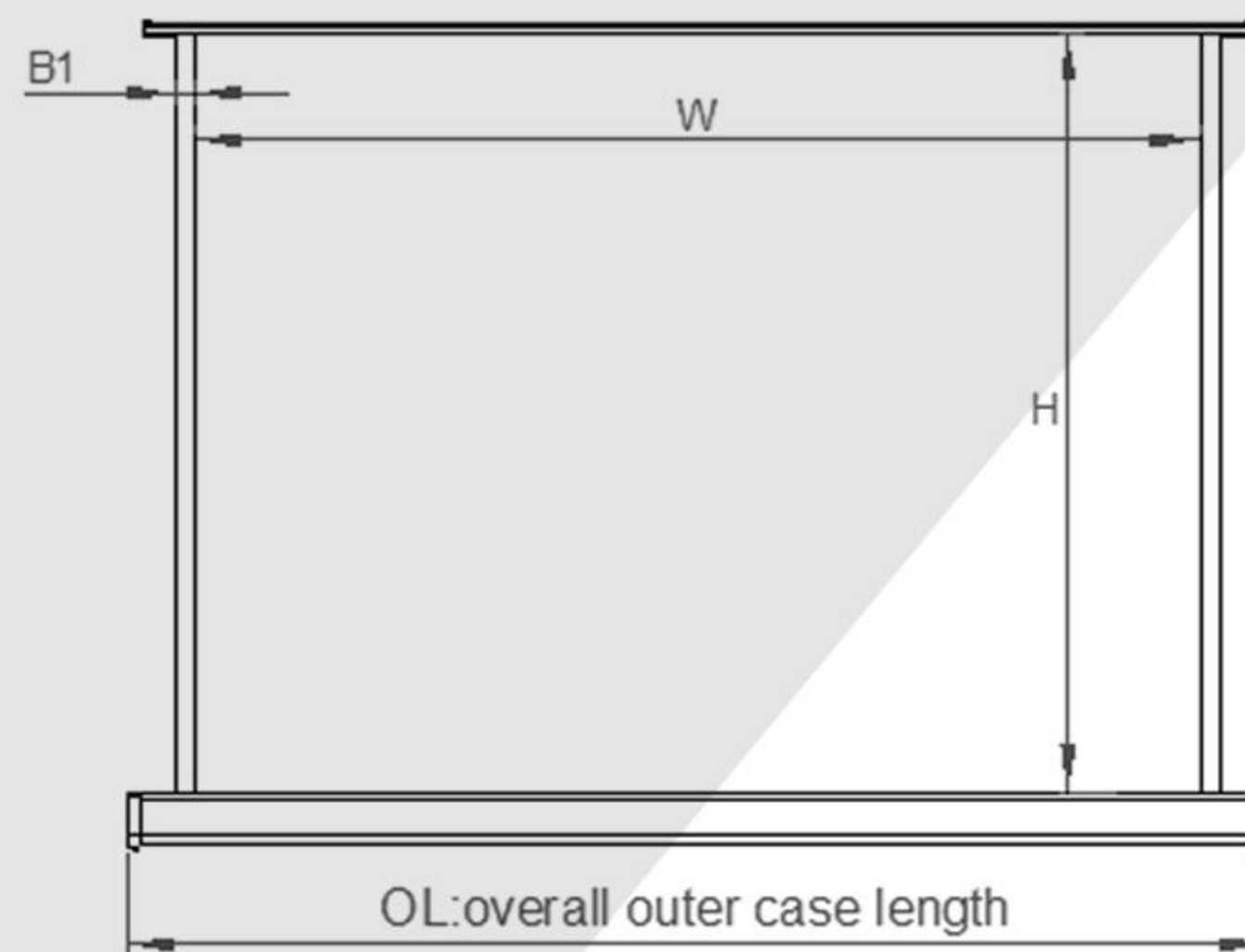
User can easily pull up the screen by using foldable pull up handles on top of the screen.



Contributed by a rotatable support leg in the middle, VEGA Deskview MKII now can hold at upright position better than previous



Simply but sturdy scissor mechanism allows instant setup to desired position. You are ready to present or experience video gaming in a flash.

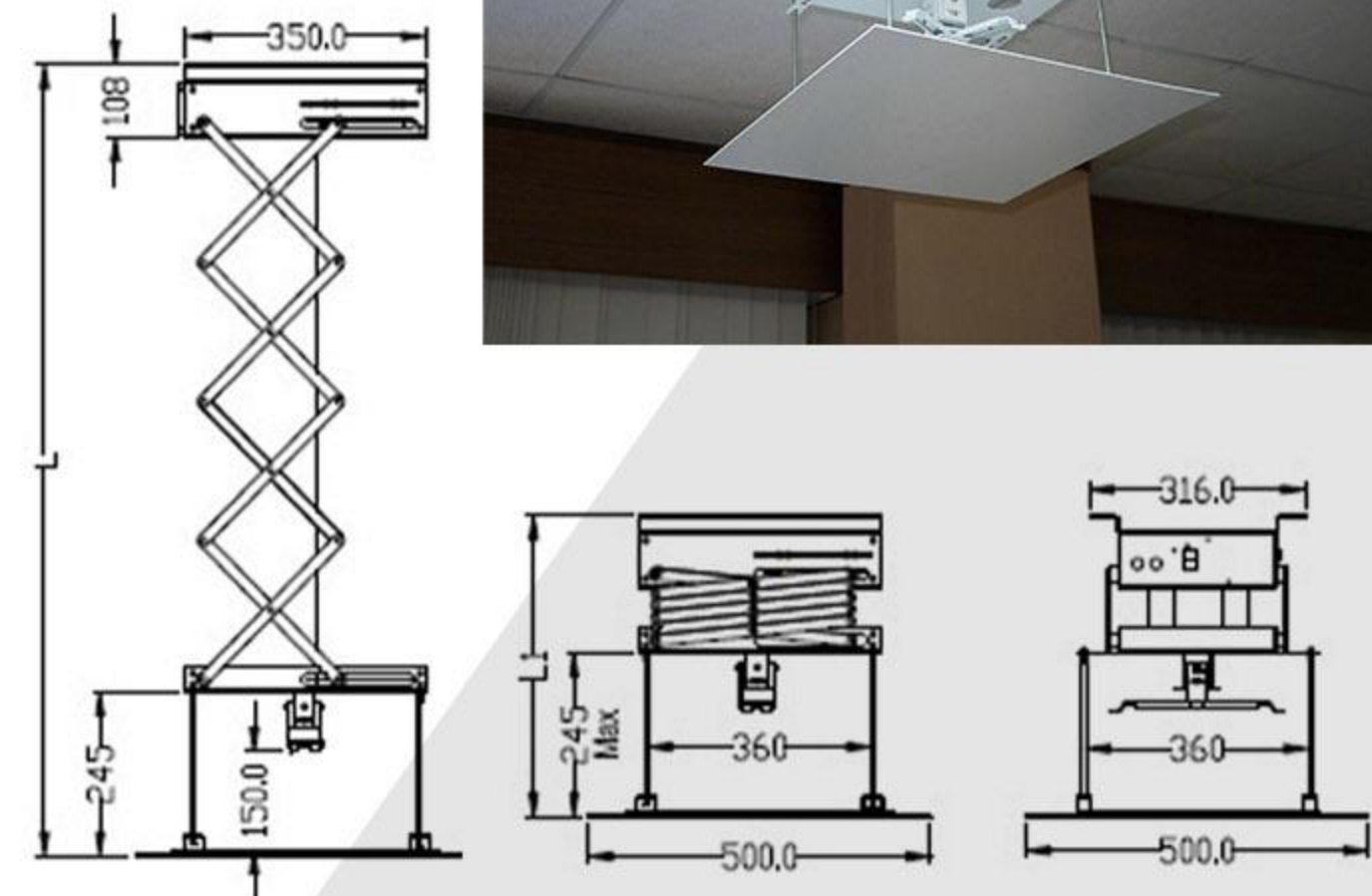


- New compact design with smaller and lighter housing
- Suitable for business applications and gaming purposes
- Used in conjunction with pocket projectors
- Simple pull-up mechanism allows quick setup
- Carrying bag available (Optional)

Type	Code	Description	Gain	Viewing Angle	Thickness	4K UHD	3D Enhanced	High Contrast	Excellent Color Rendering	Washable	Ambient Light Rejection	Acoustic Transparent
Fiberglass Series	MWA	Fiberglass PVC laminated Front Projection Matte White	1.10	2a=165°	0.37 ±0.02mm	✓				✓		
Polyester Series	MWB	Polyester Woven PVC laminated Front Projection Matte White	1.00	2a=165°	0.42 ±0.03mm	✓				✓		
	MWL	Polyester Woven PVC laminated Front Projection Matte White	1.00	2a=165°	0.35 ±0.02mm					✓		
	MWK	Polyester Warp Knitting PVC laminated Front Projection Matte White	1.00	2a=150°	0.38 ±0.02mm					✓		

Video Format:	Screen Size	Viewing Area(mm)		Border(mm)	Overall Height(mm)	Packing Dimension(mm)	N.W(kg)	G.W(kg)
	(HxW, inches)	H	W	B1/B2/B3				
4:3	30"(18"x24")	457	610	30/30/20	900*85*85	960*95*95	2.0	2.5
	40"(24"x32")	610	813	30/30/20	1100*85*85	1160*95*95	2.5	3.0
	50"(30"x40")	762	1016	30/30/20	1300*85*85	1360*95*95	3.0	3.5
16:9	30"(15"x26")	381	660	30/30/20	850*85*85	710*95*95	1.8	2.2
	40"(20"x35")	508	889	30/30/20	1050*85*85	1040*95*95	2.0	2.5
	50"(25"x44")	635	1118	30/30/20	1190*85*85	1250*95*95	2.5	3.0

SX Series Projector Lift



- **Silent**
Driven by Synchronous Motor
- **Total Control**
RF remote control, plus Central Control and 12V trigger.
- **Safe**
Emergency stop to isolate all input signal for safety maintenance
- **Adjustable**
Come with universal joint projector mount for angle adjustment



Model	SX080	SX100	SX150	SX200
Min. size of lift(fold up),mm	350x316x420(L1)	350x316x440(L1)	350x316x480(L1)	350x316x530(L1)
Max. size of lift(extended),mm	350x316x1290(L)	350x316x1525(L)	350x316x1995(L)	350x316x2700(L)
Maximum travel, mm	800	1000	1500	2000
Travel duration, sec	25 sec	32 sec	48 sec	64 sec
Minimum distance for decor ceiling, mm	440mm	460mm	500mm	550mm
Maximum projector dimension, mm	360 x 360 x 150mm			
Bottom plate size, mm	500x500			
Maximum loading capacity, kg	15 kg			
Rated voltage, v	220-240V			
Power consumption, w	60W			
Overload protection	Fuse			
Motor	Synchronous motor			
Control method	RF/Central Control/12V Trigger/Panel			
Limit adjustment	By 2 x Limit Switch			
Safety protection	Emergency Stop Button			
Tilt/angle	± 22.5°			
Rollangle	± 15°			
Color	White			
Packing dimension, mm	530x530x260	530x530x260	530x530x300	530x530x350
Net weight, kg	18.0 kg	18.5 kg	19.5 kg	21.0 kg
Gross weight, kg	19.5 kg	20.0 kg	21.0 kg	22.5 kg

PM Series Ceiling Projector Mount



- **Light**
Aluminum Extension pole
- **Rigid**
Mounting bracket and legs are made of Cool Roll Steel
- **Safe**
Every interval can be secured by screw
- **Adjustable**
Pitch and roll of projector are fully adjustable
- **Heavy Duty**
Max. loading up to 15kg



Model	PM0001	PM4365	PM63100	PM100180
Min. length (L) / mm	110	440	620	980
Max. length (L) / mm	110	640	940	1680
Pole material	Aluminum	Aluminum	Aluminum	Aluminum
Height / length adjustment Interval / mm	0	50	50	50
Max. adjustable length / mm	0	200	320	700
Product dimension (LxWxH) / mm	125x280x102	667x280x102	1067x280x102	1787x280x102
Max. mounting hole linear distance (L1) / mm	350	350	350	350
Min. mounting hole linear distance (L1) / mm	95	95	95	95
Pitch / angle	± 22.5			
Roll / angle	± 15°			
Yaw / angle	N.A.			
Max. loading / kg	15		18	
Inner box dimension / mm	315x110x55	315x110x55	515x110x55	885x110x55
Net weight per single unit / kg	0.93	1.30	1.60	2.06
Gross weight per single unit / kg	1.05	1.40	1.70	2.26
Unit per outer carton / pcs	20			
Outer carton box dimension / mm	465x335x305	465x335x305	550x470x330	920x470x330
Gross weight per outer carton box / kg	22.20	29.80	35.80	46.80
Full 20' container load / pcs	11480	11480	5760	3600

AST Series Short Throw Projector Mount



- Elegant**
 Aluminum profile extension pole
- Cable Management**
 Sufficient pole space to hidden all power and signal cable
- Safe**
 Every interval can be secured by screw
- Adjustable**
 Pitch and roll and yaw of projector are fully adjustable

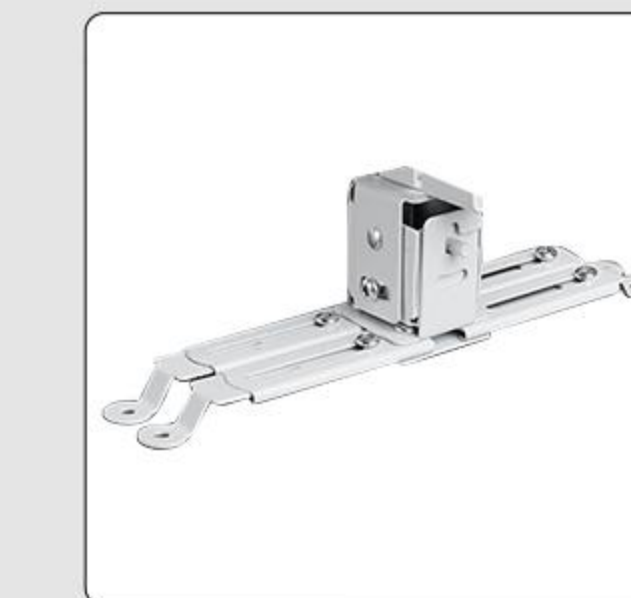
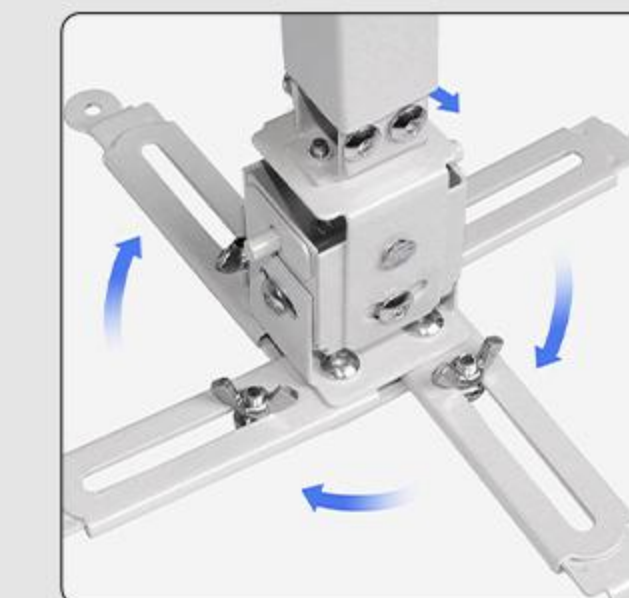
Model	AST600	AST1200	AST1250	AST1500
Min. length (L) / mm	587	684	709	834
Max. length (L) / mm	587	1165	1215	1465
Pole material	Aluminum	Aluminum	Aluminum	Aluminum
Height / length adjustment Interval / mm	N.A.	N.A.	N.A.	N.A.
Max. adjustable length / mm	0	481	506	631
Product dimension (LxWxH) / mm	700x310x258	1300x310x258	1350x310x258	1600x310x258
Max. mounting hole linear distance (L1) / mm	296	296	296	296
Min. mounting hole linear distance (L1) / mm	255	255	255	255
Pitch / angle	± 42°			
Roll / angle	± 42°			
Yaw / angle	± 25°			
Max. loading / kg	12			10
Inner box dimension / mm	910x180x110	1030x180x110	1055x180x110	1180x180x110
Net weight per single unit / kg	2.60	3.70	3.80	4.20
Gross weight per single unit / kg	3.00	4.30	4.50	5.20
Unit per outer carton / pcs	6			
Outer carton box dimension / mm	935x390x350	1055x390x350	1075x390x350	1205x390x350
Gross weight per outer carton box / kg	19.00	27.30	28.30	33.60



ST Series Short Throw Projector Mount



- Rigid**
 Ultra large base plate to minimize deformation
- Flexible**
 Sliding mounting module along full length of pole
- Adjustable**
 Pitch and roll of projector are fully adjustable
- Heavy Duty**
 Max. loading up to 25kg



Model	ST600	ST800	ST1000	ST1200	ST1500
Min. length (L) / mm	545	745	945	1145	1445
Max. length (L) / mm	545	745	945	1145	1445
Pole material	Steel	Steel	Steel	Steel	Steel
Height / length adjustment Interval / mm	N.A.	N.A.	N.A.	N.A.	N.A.
Max. adjustable length / mm	545	745	945	1145	1445
Product dimension (LxWxH) / mm	600x200x230	800x200x230	1000x200x230	1200x200x230	1500x200x230
Max. mounting hole linear distance (L1) / mm	350	350	350	350	350
Min. mounting hole linear distance (L1) / mm	95	95	95	95	95
Pitch / angle	± 22.5				
Roll / angle	± 15°				
Yaw / angle	± 25°				
Max. loading / kg	25				
Inner box dimension / mm	660x212x77	860x212x77	1060x212x77	1260x212x77	1560x212x77
Net weight per single unit / kg	3.00	3.20	3.40	3.60	3.90
Gross weight per single unit / kg	3.20	3.40	3.60	3.80	4.20
Unit per outer carton / pcs	12	6			
Outer carton box dimension / mm	1340x440x250	880x440x250	1080x440x250	1280x440x250	1580x440x250
Gross weight per outer carton box / kg	40.00	24.00	24.60	25.30	28.00
Full 20' container load / pcs	1920	1536	1200	1008	816

Leaflet-Trolley TL Series



- Expanded dimension: 1320(L) x 450(W) x 730(H)mm
- Folded dimension: 560(L) x 450(W) x 730(H)mm
- Adjustable height: 470–750mm
- Weight: 12kg

Leaflet-Trolley TS Series



- Expanded dimension: 410(L) x 410(W) x 840(H)mm
- Shelf size :400(L) x 400(W)
- Adjustable height: 520–800mm
- Weight: 8kg

